

**KESLA 2014Z, 2014ZT****Sisällysluettelo \ Innehållsförteckning \ Contents \ Inhaltsverzeichnis**

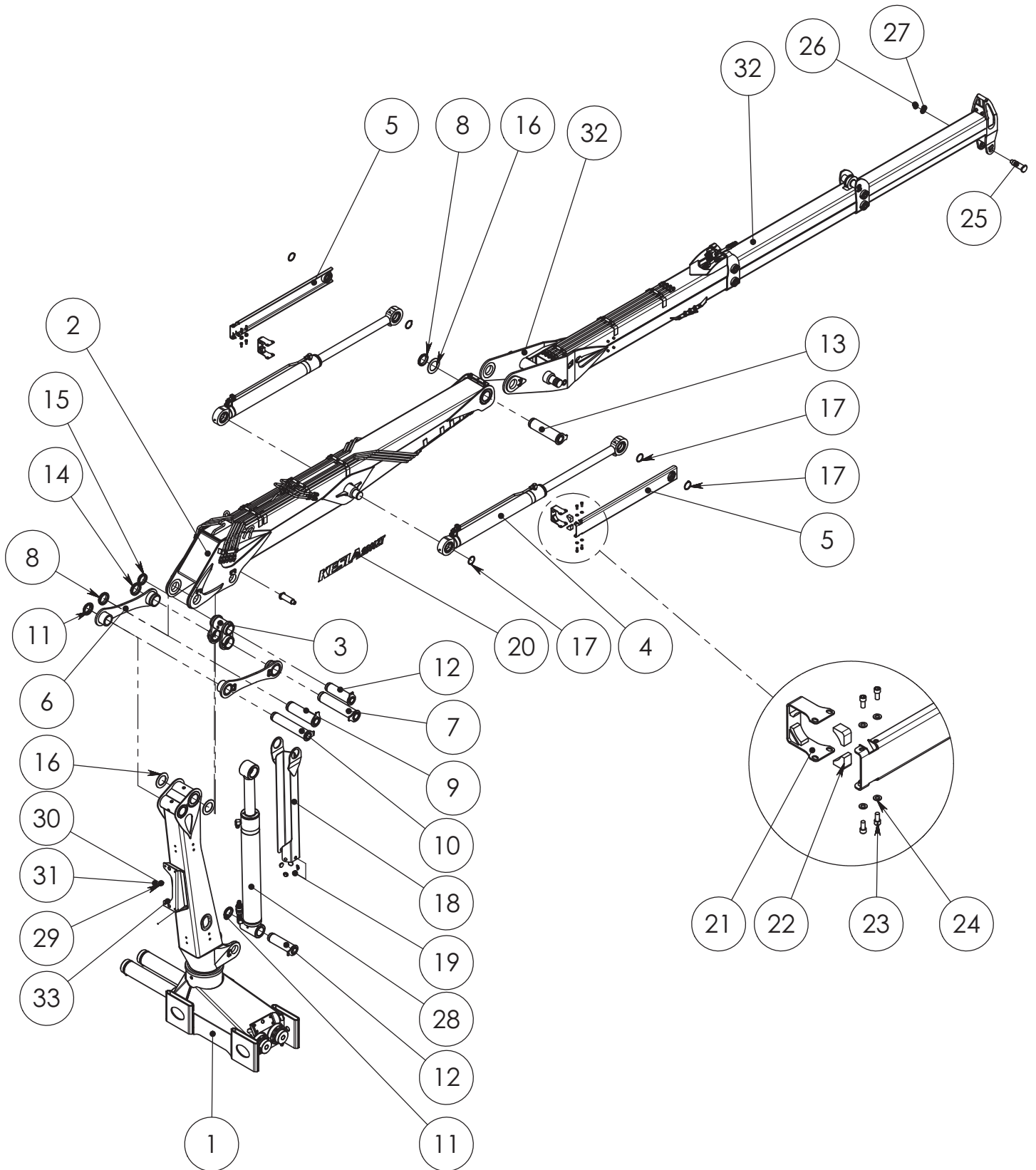
Pääkoonpano \ Sammansättning \ Final assembly \ Zusammensetzung .....	1
Käntölaite \ Vridanordning \ Slew mechanism \ Schwenkwerk .....	4
Nostopuomi \ Lyftbom \ Main lifting boom \ Hubarm .....	6
Siirtopuomisto KESLA 2014Z \ Vipparm KESLA 2014Z \ Outer boom KESLA 2014Z \ Knickarm KESLA 2014Z .....	8
Siirtopuomisto KESLA 2014ZT \ Vipparm KESLA 2014ZT \ Outer boom KESLA 2014ZT \ Knickarm KESLA 2014ZT .....	11
Tukijalkavarustus \ Stödbensutrustning \ Stabilizers \ Stützfußausrüstung .....	14
Vetotanko varusteltuna \ Dragstång \ Inner link assy \ Mittleres Gelenk .....	17
Siirtopuomiston ketju \ Kedja \ Chain \ Kette kompl. \ 3x4 (77) .....	19
Siirtopuomiston ketju \ Kedja \ Chain \ Kette kompl. \ 3x4 (87) .....	21
Nostosylinteri varusteltuna \ Lyftcylinder utrustning \ Accessories for main lifting cylinder \ Ausrüstung für Hubzylinder .....	23
Nostosylinteri \ Lyftcylinder \ Main lifting cylinder \ Hubzylinder.....	25
Siirtosylinteri varusteltuna \ Vippcylinder utrustning \ Accessories for outer boom cylinder \ Ausrüstung für Knickarmzylinder.....	27
Siirtosylinteri \ Vippcylinder \ Outer boom cylinder \ Knickarmzylinder.....	29
Jatkeen sylinteri varusteltuna \ Utskjutscylinder utrustning \ Extension cylinder Accessories for \ Ausschubzylinder Ausrüstung für \ KESLA 2014Z.....	31
Jatkeen sylinteri \ Utskjutscylinder \ Extension cylinder \ Ausschubzylinder \ KESLA 2014Z .....	33
Jatkeen sylinteri \ Utskjutscylinder \ Extension cylinder \ Ausschubzylinder \ KESLA 2014ZT ....	35
Tukijalkojen levityssylinteri \ Spridningscylinder \ Spreading cylinder \ Ausschubzylinder für Stützfüsse .....	37
Tukijalan sylinteri kok.oikea \ Stödbenscylinder höger \ Stabilizer cylinder right \ Stützfußcylinder rechts .....	39
Tukijalan sylinteri kok.vasen \ Stödbenscylinder vänster \ Stabilizer cylinder left \ Stützfußcylinder links .....	41

**KESLA 2014Z, 2014ZT****Sisällysluettelo\Innehållsförteckning\Contents \Inhaltsverzeichnis**

Tukijalan sylinteri \ Stödbenscylinder \ Stabilizer cylinder \ Stützfußcylinder .....	43
Riipuke varusteltuna \ Rotatorlänk \ Rotator link \ Rotatorgelenk.....	45
Painesuodatin \ Tryckfilter \ Pressure filter \ Druckfilter .....	47
Hallintalaite adapteri \ Styrningsanordning adapter \ Control unit adapter\ Bedienungsanordning adapter .....	49
Suodatinteline \ Tryckfilter ställ \ Pressure filter holder \ Druckfilter gestell.....	51
Hallintalaitteet \ Styrningsanordning \ Control unit \ Bedienungsanordning .....	

90000301

NOSTURI

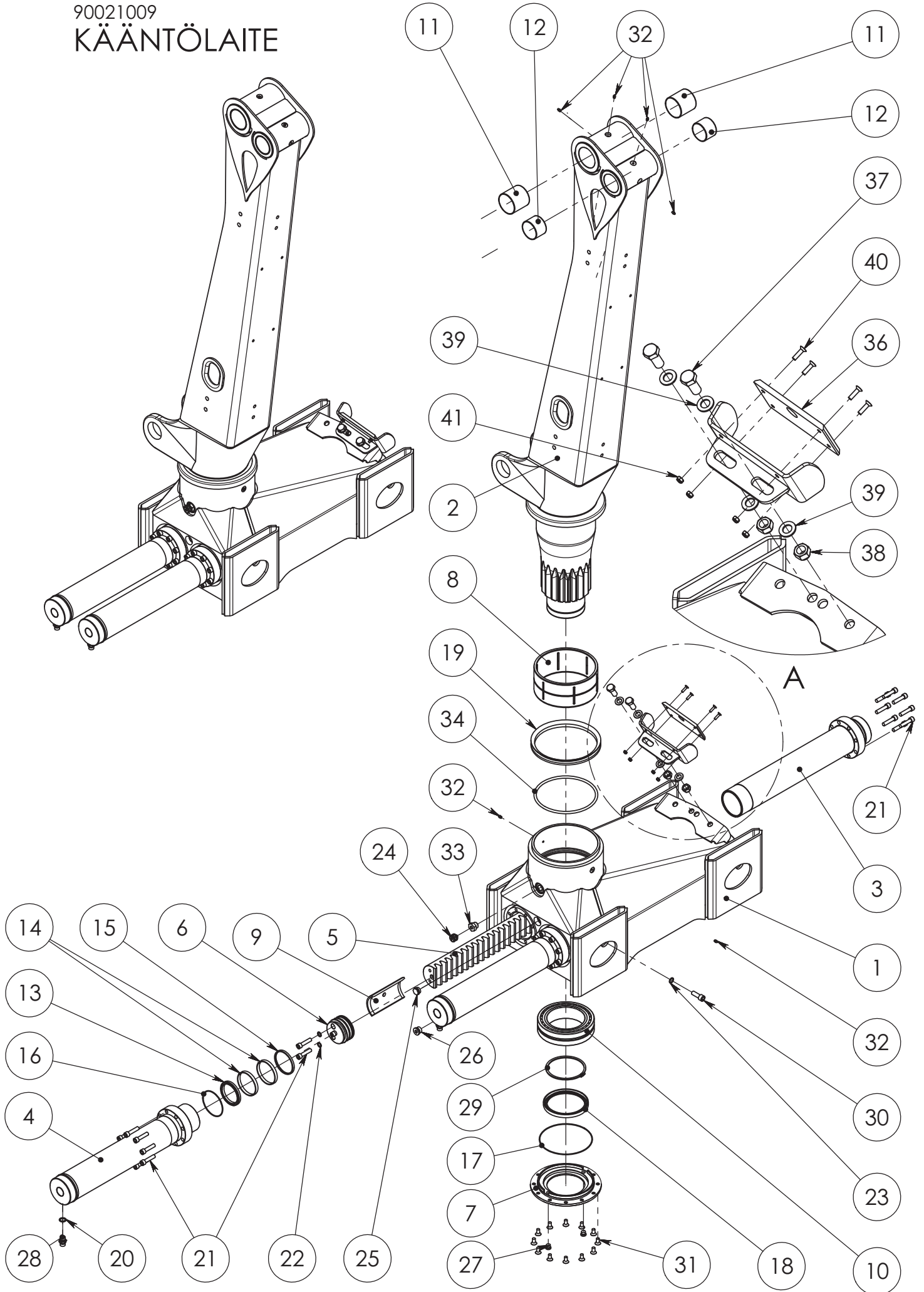


Item code	90000301	Revision	-
Title	CRANE	Date	24.10.2006
Specification	L=9350		

Pos	Item code	Title	Specification	Pc	Nfo Weight
1	90021009	SLEW MECHANNISM	31 KNM	1	847.77
2	90021178	LIFT BOOM	L=3590 OPEN TYPE	1	428.9
3	90024300	DRAW BAR	VAR	1	12.55
4	90023631	CYLINDER	100/70X880 VAR	2	78.16
5	90021152	COVER	HITS+KON	2	9.74
6	90020976	LINK	KONEISTUS	2	13.01
7	90021059	AXLE	90-437 HITS	1	15.15
8	3020177	NUT	KM17 NYLOC M85X2	3	0.44
9	90020768	AXLE	90/M85X2-337	1	11.72
10	90021057	AXLE	80-435 HITS	1	11.71
11	3020158	NUT	KM15 NYLOC M75X2	3	0.35
12	90020764	AXLE	80/M75X2-300	2	8.07
13	90021106	AXLE	90/M85X2 -360	1	12.51
14	90020815	WASHER	112/91-6	3	0.16
15	90013697	WASHER	100/81-6	1	0.13
16	90020813	BEARING	142/90,5-5	4	0.05
17	3060104	SNAP RING	AS 70X4 DIN 471	6	0
18	90021162	COVER	NOSTOSYL.	1	19.91
19	90013832	GLIDE PAD	40-14	5	0.01
20	3281267	DECAL	2014,2014Z,2014ZT (100X822)	2	0.07
21	90021156	FASTENER	HITS	2	0.98
22	90023630	GLIDE PAD	12.5/45X30	8	0.05
23	3010239	ALLEN SCREW	M12X25 8.8 ZN DIN 912	8	0
24	3030096	WASHER	M12 ZN DIN 125	8	0.01
25	90013105	AXLE	45-164	2	1.94
26	3020144	NUT	M30X1.5 ZN NYLOC	2	0.1
27	90013106	WASHER	56/31-8	2	0.08
28	90021434	CYLINDER	140 / 90 X 970 VARUSTELU	1	41.53
29	3010246	ALLEN SCREW	M12X30 8.8 ZN DIN 912	4	0
30	3030047	WASHER	M12/13 ZN DIN 126	4	0.01
31	3020005	NUT	M12 ZN DIN 985	4	0.02
32	90021176	OUTER BOOM	L=6000	1	903.41
33	90022251	FASTENER	HITS	1	6.18

90021009

# KÄÄNTÖLAITE



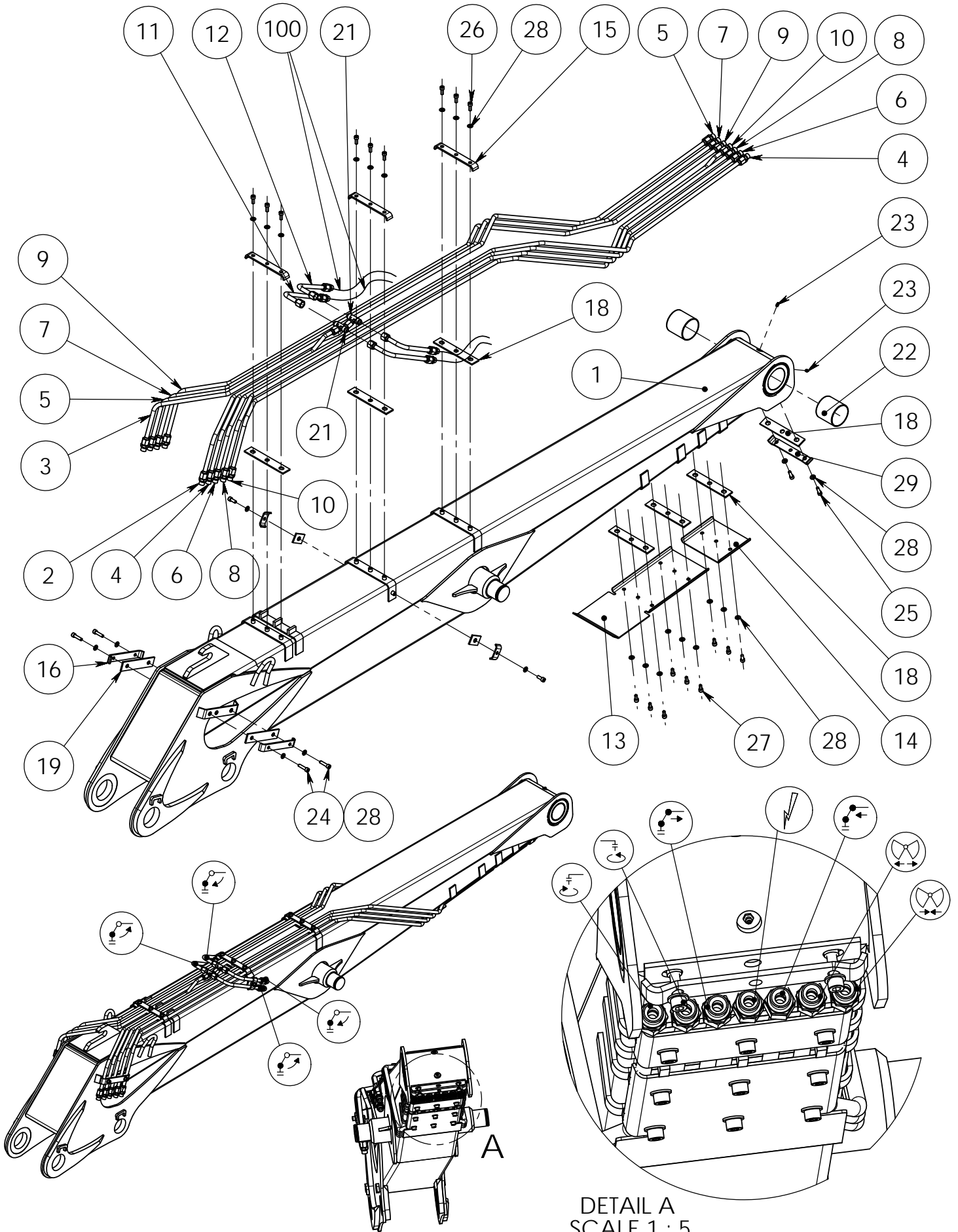
Item code	90021009	Revision	A
Title	SLEW MECHANISM	Date	17.02.2006
Specification	31 KNM		

Pos	Item code	Title	Specification	Pc	Nto Weight
1	90021008	FRAME	KONEISTUS	1	295.36
2	90020935	PILLAR	KONEISTUS	1	353.74
3	90020946	CYLINDER	110-774	2	23.02
4	90020944	CYLINDER	110-774	2	22.26
5	90020941	RACK BAR	105-862	2	33.7
6	90020632	PISTON	D110	4	3.65
7	90020924	FLANGE		1	4.55
8	90014957	BUSHING	270/250-120	1	1.1
9	90020949	BEARING	110-193	2	0.23
10	3100247	ROLLER BEARING	23032 CC/W33	1	9.05
11	3100382	BUSHING	WB 802 9090	2	0.51
12	3100226	BUSHING	WB 802 8060	2	0.3
13	3110194	PISTON SEAL	T18 110/90X12.2	4	0.24
14	3110566	PISTON GUIDE	E/PWR 110/104X13	8	0.1
15	3110567	WIPER SEAL	PPW 110/101.4X5.3	4	0.07
16	3110400	O-RING	114.5X3.0 90 SHORE	4	0.02
17	3110771	O-RING	219.5X3.0 70 SHORE	1	0.04
18	3110878	SHAFT SEAL	160/190X15 AS	1	0.53
19	3110564	SEAL	VA-275	1	1.52
20	3110042	SEAL	R-08 R 1/2"	4	0.01
21	3010601	ALLEN SCREW	M14X60 12.9 DIN 912	40	0
22	3030080	WASHER	M14	8	0
23	3110040	SEAL	R-06 R 3/8"	2	0
24	3091042	BREATHER		1	0.11
25	3090294	OIL LEVEL INDICATOR		1	0.01
26	3090209	PLUG		1	0.08
27	3090210	PLUG		2	0.03
28	3090019	CONNECTOR (STRAIGHT)	04000-08 R1/2"	4	0.1
29	3060050	SNAP RING	160X4 DIN 471	1	0
30	3010273	ALLEN SCREW	M16X45 8.8 DIN 912	2	0
31	3010315	ALLEN SCREW	M12X25 10.9 ZN DIN 7991	12	0
32	3050003	GREASE NIPPLE	M8X1.25 DIN 71412	6	0
33	3090385	CONNECTOR	RSI-3/4"-1/4"	1	0.11
34	3110987	O-RING	260X10 NBR70	1	0.5
35	90021164	SUPPORT	HITS	1	2.95
36	90018948	GLIDE PAD	100 X 220	1	0.23

Item code	90021009	Revision	A
Title	SLEW MECHANNISM	Date	17.02.2006
Specification	31 KNM		

Pos	Item code	Title	Specification	Pc	Nfo Weight
37	3010326	HEW SCREW	M20X45 8.8 ZN DIN 933	2	0
38	3020009	NUT	M20 ZN DIN 985	2	0.07
39	3030055	WASHER	M20 ZN DIN 125	4	0.02
40	3010176	ALLEN SCREW	M8X30 10.9 ZN DIN 7991	4	0
41	3020001	NUT	M8 ZN DIN 985	4	0.01

90021178  
L=3590 OPEN TYPE

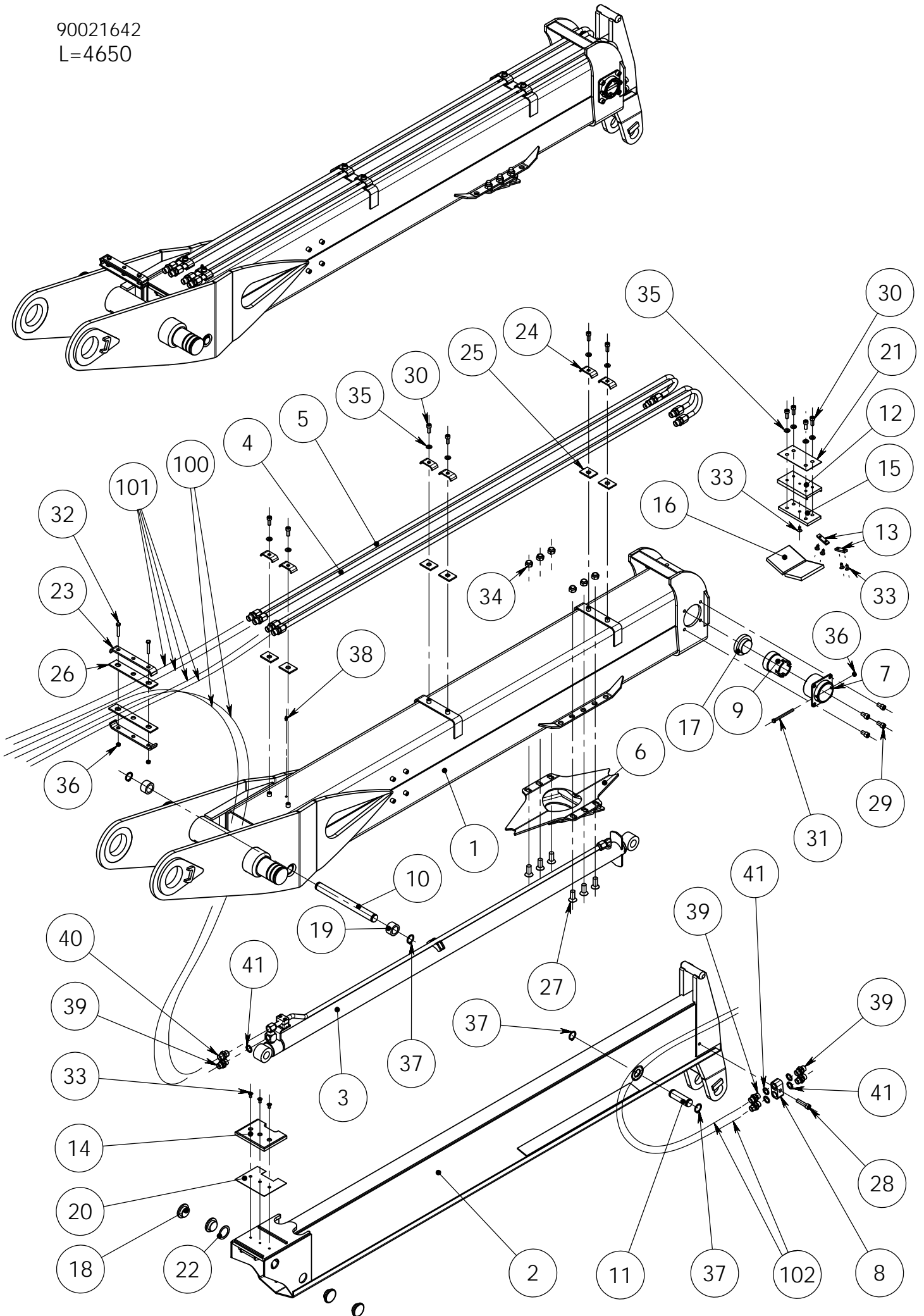




Item code	90021178	Revision	-
Title	LIFT BOOM	Date	11.10.2006
Specification	L=3590 OPEN TYPE		

Pos	Item code	Title	Specification	Pc	Nto Weight
1	90021128	LIFT BOOM	L=3590	1	311.4
2	90021180	PIPE	1 RIGHT KOK	1	1.28
3	90021181	PIPE	1 LEFT KOK	1	1.33
4	90021184	PIPE	2 RIGHT KOK	1	2.98
5	90021186	PIPE	2 LEFT KOK	1	2.98
6	90021188	PIPE	3 RIGHT KOK	1	2.96
7	90021190	PIPE	3 LEFT KOK	1	2.96
8	90021192	PIPE	4 RIGHT KOK	1	2.31
9	90021194	PIPE	4 LEFT KOK	1	2.93
10	90021197	PIPE	5 RIGHT KOK ( SÄHKÖ )	1	2.91
11	90018994	PIPE	6 KOK	2	21.2
12	90018995	PIPE	7 KOK	2	21.15
13	90021486	COVER		1	3.11
14	90018973	FASTENER		1	0.99
15	90013744	FASTENER		3	0.32
16	90022330	FASTENER	6X30-250	2	0.3
17	90010442	FASTENER	LT4X30-72	2	0.07
18	90013489	RUBBER	5X40X220	7	0.06
19	90021961	RUBBER	5X40-190	2	0.05
20	90010443	RUBBER	5X55-40	2	0.01
21	3090459	CONNECTOR	1210-10-10-10	2	0.21
22	3100382	BUSHING	WB 802 9090	2	0.51
23	3050003	GREASE NIPPLE	M8X1,25 DIN 71412	2	0
24	3010249	ALLEN SCREW	M10X40 8.8 ZN DIN 912	4	0
25	3010248	ALLEN SCREW	M10X30 8.8 ZN DIN 912	2	0
26	3010685	ALLEN SCREW	M10X25 8.8 ZN DIN 912	11	0
27	3010192	ALLEN SCREW	M10X20 8.8 ZN DIN 912	9	0
28	3030003	WASHER	M10/11 ZN DIN 126	26	0
29	90015473	FASTENER		1	0.32
100	3130523	HYDRAULIC HOSE	5201-08/HI-98C-08/5201-08/L=500	4	

90021642  
L=4650

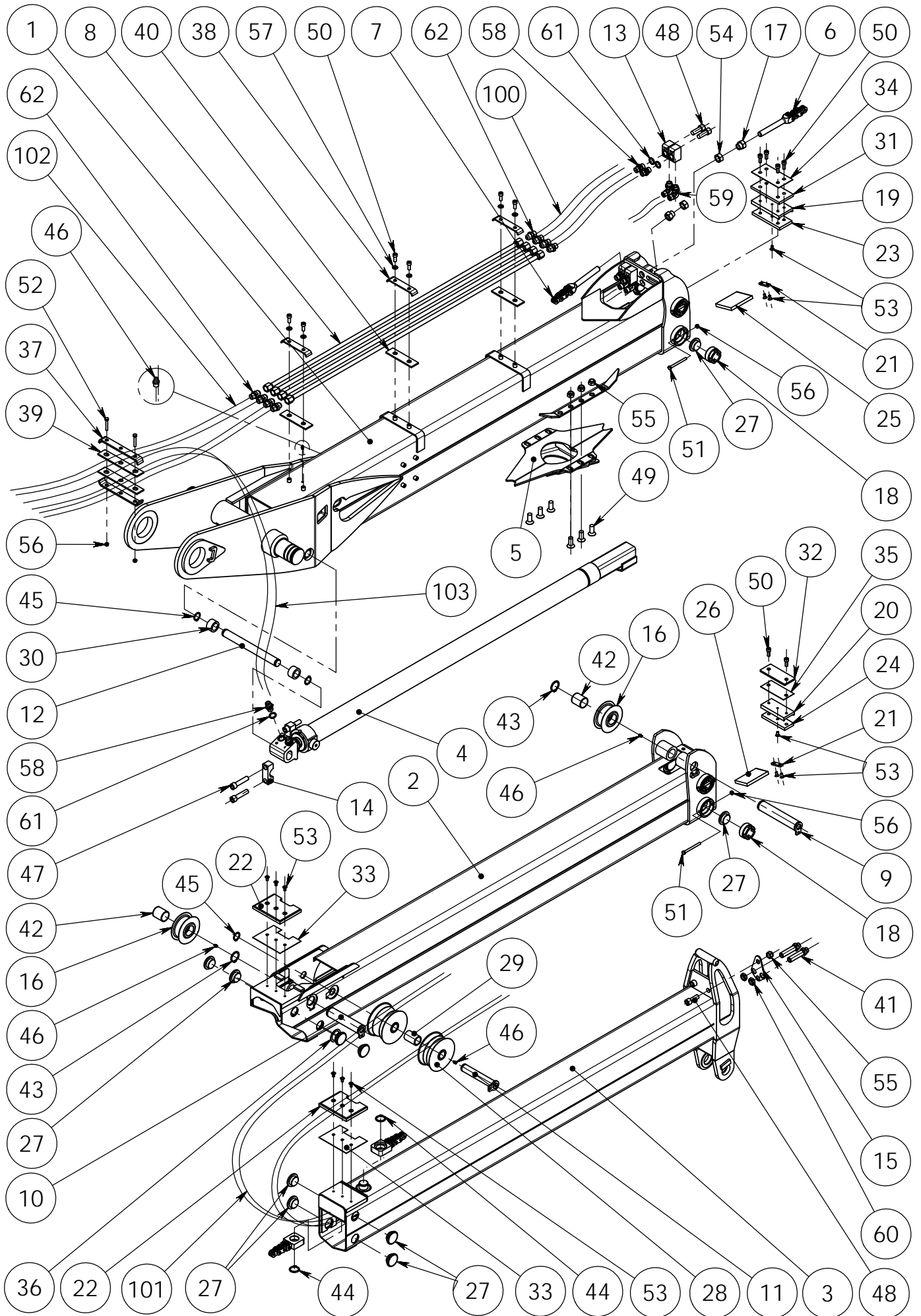


Item code	90021642	Revision	-
Title	OUTER BOOM	Date	27.02.2007
Specification	L=4650		

Pos	Item code	Title	Specification	Pc	Nto Weight
1	90021331	OUTER BOOM	L=3000	1	213.79
2	90021384	EXTENSION	L=2445	1	105.64
3	90021354	CYLINDER	50/30 X 1650	1	28.88
4	90021405	PIPE	L=2324 KOK	2	1.75
5	90021407	PIPE	L=2365 KOK	2	1.77
6	90021531	RACK	HITS	1	6.75
7	90021394	FASTENER	HITS	2	1.31
8	90021408	CONNECTOR	R 1/2"	2	0.35
9	90021396	FASTENER		2	0.85
10	90018765	AXLE	30-304	1	1.68
11	90021399	AXLE	30X96	1	0.53
12	90014762	FASTENER		1	1.01
13	90010345	HOLDER		2	0.03
14	90014887	GLIDE PAD	120X155	1	0.24
15	90014766	GLIDE PAD	12x70x155	1	0.12
16	90014768	GLIDE PAD	12 X 90 X 120	2	0.15
17	90021397	GLIDE PAD	56X80-15X15	2	0.13
18	90011001	GLIDE PAD	D=55-19/7	4	0.03
19	90021928	SLEEVE	45/31-26	2	0.02
20	90017085	PLATE	119X155	1	0.13
21	90015124	PLATE	80 X 155	1	0.09
22	21039422	SHIM	1XD=55	1	0.01
23	90013744	FASTENER		2	0.32
24	90010442	FASTENER	LT4X30-72	6	0.07
25	90010443	RUBBER	5X55-40	6	0.01
26	90013489	RUBBER	5X40X220	2	0.06
27	3010633	ALLEN SCREW	M16X40 10.9 DIN 7991	6	0
28	3010580	ALLEN SCREW	M12X50 8.8 ZN DIN 912	2	0
29	3010604	ALLEN SCREW	M12X20 8.8 DIN 912	8	0
30	3010685	ALLEN SCREW	M10X25 8.8 ZN DIN 912	10	0
31	3010447	HEW SCREW	M8X100 8.8 ZN DIN 931	2	0
32	3010072	HEW SCREW	M8X50 8.8 ZN DIN 931	2	0
33	3010190	ALLEN SCREW	M8X16 10.9 DIN 7991	8	0
34	3020010	NUT	M16 ZN DIN 985	6	0.03
35	3030003	WASHER	M10/11 ZN DIN 126	10	0
36	3020001	NUT	M8 ZN DIN 985	4	0.01

Item code	90021642	Revision	-
Title	OUTER BOOM	Date	27.02.2007
Specification	L=4650		

Pos	Item code	Title	Specification	Pc	Nto Weight
37	3060092	SNAP RING	AS 30X2 ZN DIN 471	4	0
38	3050003	GREASE NIPPLE	M8X1,25 DIN 71412	1	0
39	3090019	CONNECTOR (STRAIGHT)	04000-08 R1/2"	9	0.1
40	3090917	CONNECTOR (STRAIGHT)	26-040010810 R 1/2" -7/8" JIC	9	0.11
41	3110042	USIT-SEAL	R-08 R 1/2"	9	0.01
100	3132581	HYDRAULIC HOSE	5601-08/HI-33-08/5660-08/L=1100	2	
101	3132582	HYDRAULIC HOSE	5601-08/HI-33-08/5601-08/L=1000	4	
102	3132530	HYDRAULIC HOSE	5701-08/241X-08/5701-08/L=2240	4	



Item code	90021176	Revision	-
Title	OUTER BOOM	Date	19.09.2007
Specification	L=6000		

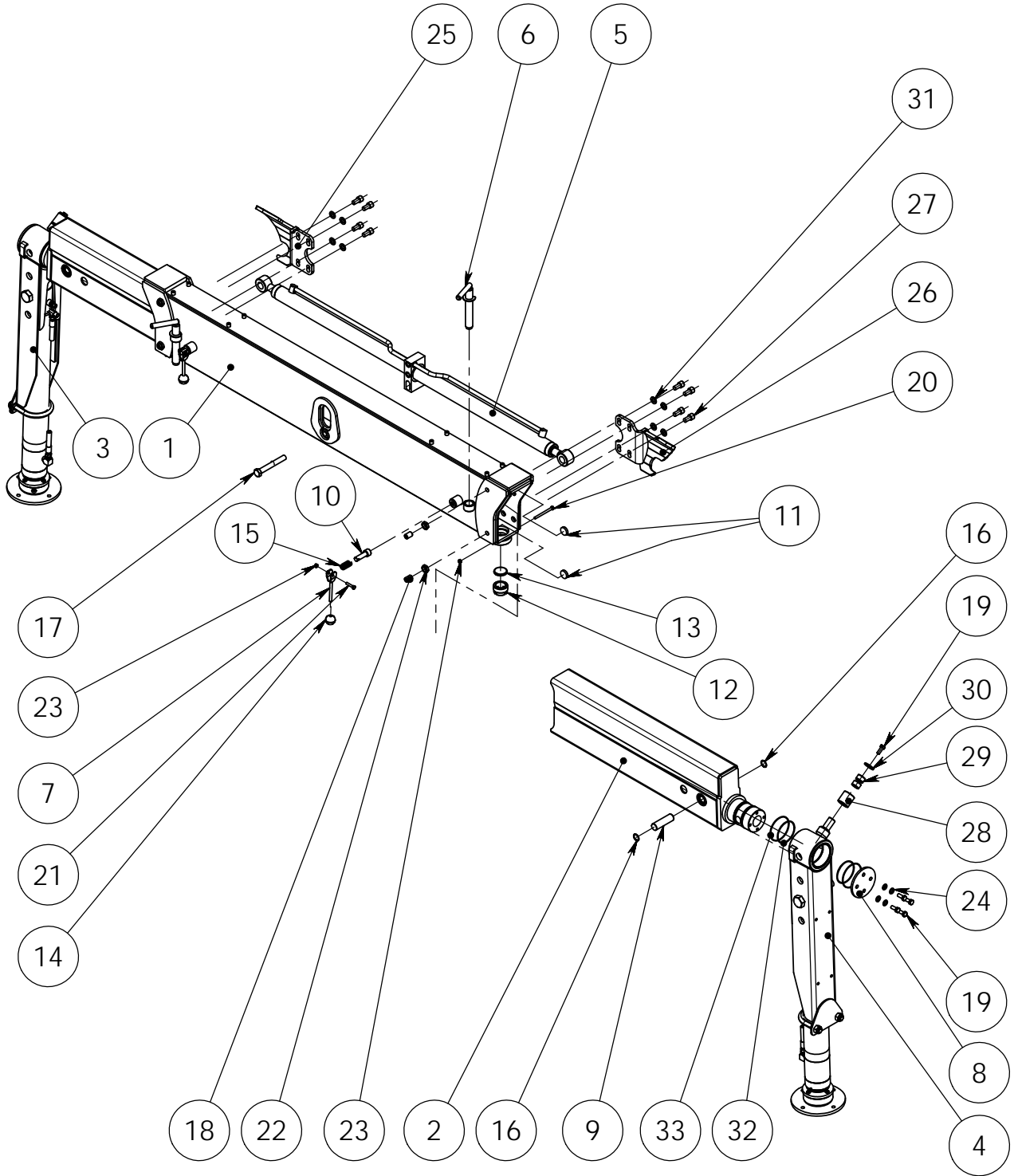
Pos	Item code	Title	Specification	Pc	Nto Weight
1	90021127	OUTER BOOM	L=2845	1	211.62
2	90021134	EXTENSION 1	L=2450	1	93.59
3	90021147	EXTENSION 2	L=2170	1	71.32
4	28658001	CYLINDER	70/40X1450	1	40.35
5	90021531	RACK	HITS	1	6.75
6	90021171	CHAIN	3X4 (77 LENKKIÄ )	1	1.42
7	90021172	CHAIN	3X4 (87 LENKKIÄ )	1	1.42
8	90021148	PIPE	L=1420	4	1.12
9	90022104	AXLE	40-211 HITS	1	2.05
10	90022102	AXLE	40-179 HITS	1	1.74
11	90019107	AXLE	30-183	1	0.97
12	90018765	AXLE	30-304	1	1.68
13	90019105	CONNECTOR	R 1/2"	4	0.41
14	90019106	COVER		2	0.37
15	90019118	FASTENER	R / JIC	2	0.14
16	90021697	WHEEL	R1", 3X4, D90	2	1.96
17	90017520	NUT	M20-30	2	0.09
18	90016090	FASTENER		8	0.35
19	90014762	FASTENER		1	1.01
20	90014763	FASTENER		1	0.65
21	90010345	HOLDER		4	0.03
22	90014887	GLIDE PAD	120X155	2	0.24
23	90014766	GLIDE PAD	12x70x155	1	0.12
24	90014770	GLIDE PAD	50X130	1	0.07
25	90014768	GLIDE PAD	12 X 90 X 120	2	0.15
26	90012374	GLIDE PAD	70X 120	2	0.1
27	90011001	GLIDE PAD	D=55-19/7	16	0.03
28	90019125	ROLL		4	0.32
29	90019109	SLEEVE	40/31-57	1	0.03
30	90021928	SLEEVE	45/31-26	2	0.02
31	90019137	PLATE		1	0.97
32	90021177	PLATE		1	0.38
33	90017085	PLATE	119X155	2	0.13
34	90015124	PLATE	80 X 155	1	0.09
35	90015142	PLATE	60 X 130	1	0.06
36	21039422	SHIM	1XD=55	1	0.01

Item code	90021176	Revision	-
Title	OUTER BOOM	Date	19.09.2007
Specification	L=6000		

Pos	Item code	Title	Specification	Pc	Nto Weight
37	90013744	FASTENER		2	0.32
38	90012248	FASTENER	4X30-152	3	0.14
39	90013489	RUBBER	5X40X220	2	0.06
40	90010444	RUBBER	5X40-145	3	0.04
41	90012327	CONNECTOR	1/2" EP ( L=100)	4	0.19
42	3100188	BUSHING	WB 802 4050	2	0.1
43	3060100	SNAP RING	AS 40X2.5 ZN DIN 471	2	0
44	3060091	SNAP RING	AS 35X2.5 ZN DIN 471	2	0.01
45	3060092	SNAP RING	AS 30X2 ZN DIN 471	3	0
46	3050003	GREASE NIPPLE	M8X1,25 DIN 71412	4	0
47	3010277	ALLEN SCREW	M16X70 12.9 ZN DIN 912	4	0
48	3010273	ALLEN SCREW	M16X45 8.8 DIN 912	6	0
49	3010633	ALLEN SCREW	M16X40 10.9 DIN 7991	6	0
50	3010685	ALLEN SCREW	M10X25 8.8 ZN DIN 912	12	0
51	3010328	HEW SCREW	M8X90 8.8 ZN DIN 931	8	0
52	3010072	HEW SCREW	M8X50 8.8 ZN DIN 931	2	0
53	3010190	ALLEN SCREW	M8X16 10.9 DIN 7991	16	0
54	3020032	NUT	M20 ZN DIN 934/8	2	0
55	3020010	NUT	M16 ZN DIN 985	8	0.03
56	3020001	NUT	M8 ZN DIN 985	10	0.01
57	3030003	WASHER	M10/11 ZN DIN 126	6	0
58	3090019	CONNECTOR (STRAIGHT)	04000-08 R1/2"	6	0.1
59	3090428	CONNECTOR (ANGLE)	26-04500-08	4	0.17
60	3090300	NUT		4	0.02
61	3110042	USIT-SEAL	R-08 R 1/2"	6	0.01
62	3090917	CONNECTOR (STRAIGHT)	26-040010810 R 1/2" -7/8" JIC	8	0.11
100	3130523	HYDRAULIC HOSE	5201-08/HI-98C-08/5201-08/L=500	4	
101	3132478	HYDRAULIC HOSE	5701-08/HI-84/5701-08/L=4050	4	0
102	3132582	HYDRAULIC HOSE	5601-08/HI-33-08/5601-08/L=1000	4	
103	3132583	HYDRAULIC HOSE	5601-08/HI-33-08/5660-08/L=1150	2	0

90021229

TUKIJALKA

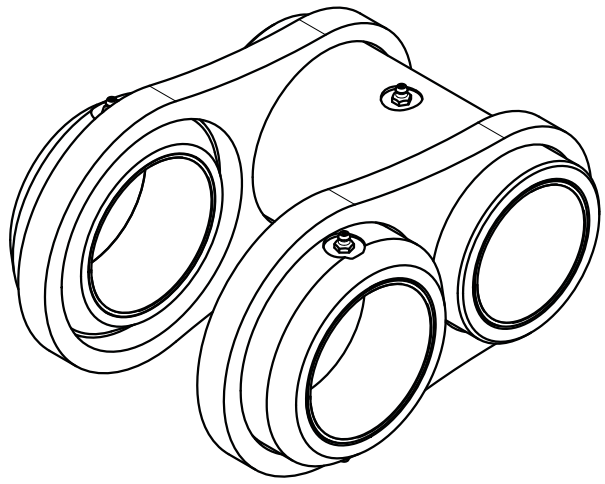
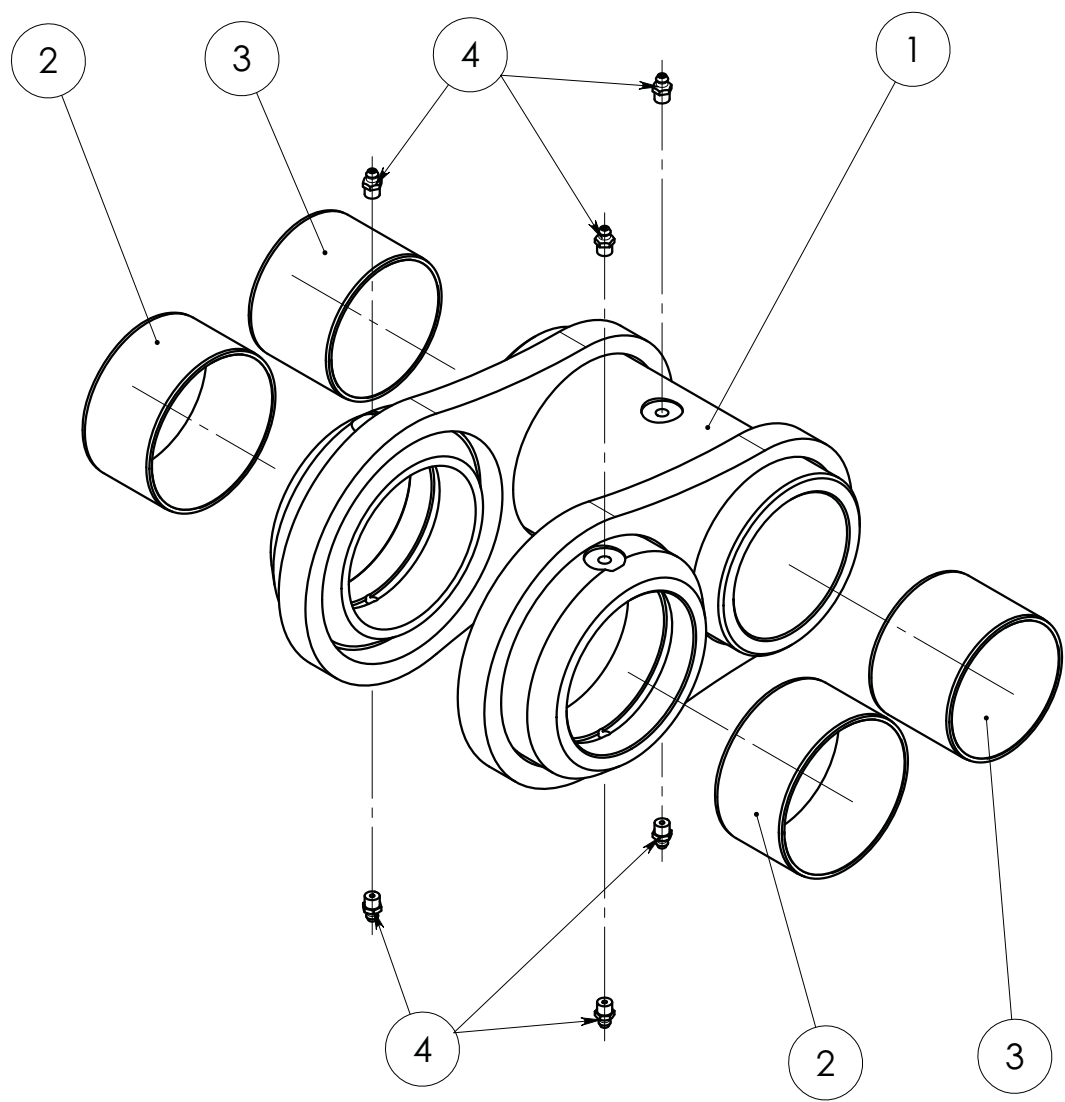




Item code	90021229	Revision	A
Title	STABILIZER	Date	30.10.2006
Specification	JALKAVAR		

Pos	Item code	Title	Specification	Pc	Nto Weight
1	90021222	BEAM	HITS	1	139.07
2	90021227	ARM	HITS	2	47.04
3	90020725	STABILIZER	RIGHT L=600 KOK	1	89.43
4	90020765	STABILIZER	LEFT L=600 KOK	1	89.43
5	28772001	CYLINDER	50/30X2X650	1	18.23
6	90011249	AXLE	HITS	2	1.43
7	90012844	LEVER	10-120	2	0.16
8	90011250	FLANGE	135 - 8	2	0.86
9	90013050	AXLE	30-102	2	0.57
10	90012843	SPINDLE	28/18-76	2	0.2
11	90020807	GLIDE PAD	35 - 8	4	0.01
12	90016090	FASTENER		2	0.35
13	90020689	GLIDE PAD	40X55-7X5	2	0.03
14	3120453	KNOB		2	0.25
15	3300533	SPRING	18/45/7.6/6.88 -1643 SF-TF3	2	0.02
16	3060019	SNAP RING	30 DIN 472	4	0
17	3010049	HEW SCREW	M20X150 8.8 ZN DIN 931	1	0
18	3010312	ALLEN SCREW	M20X30 10.9 ZN DIN 913	4	0
19	3010048	HEW SCREW	M12X30 8.8 ZN DIN 933	10	0
20	3010447	HEW SCREW	M8X100 8.8 ZN DIN 931	2	0
21	3010441	HEW SCREW	M8X40 8.8 ZN DIN 931	2	0
22	3020014	NUT	M20 ZN DIN 936	4	0
23	3020001	NUT	M8 ZN DIN 985	4	0.01
24	3030096	WASHER	M12 ZN DIN 125	8	0.01
25	90021843	CABLE	OIKEA HITS	1	4.9
26	90021844	CABLE	VASEN HITS	1	4.9
27	3010700	ALLEN SCREW	M16X30 8.8 ZN DIN 912	8	0
28	90012841	SLEEVE	50/34-50	2	0.41
29	3100124	BUSHING	PM 3020 DX	4	0.03
30	3030122	WASHER	M12 ZN DIN 440	2	0.04
31	3030006	WASHER	M16/17 ZN DIN 125	8	0.01
32	3110934	SEAL	O 94,5X3 70 SHORE	4	0.02
33	3110259	O-RING	104.5X3 90 SHORE	4	0.02

90020965  
TANKO





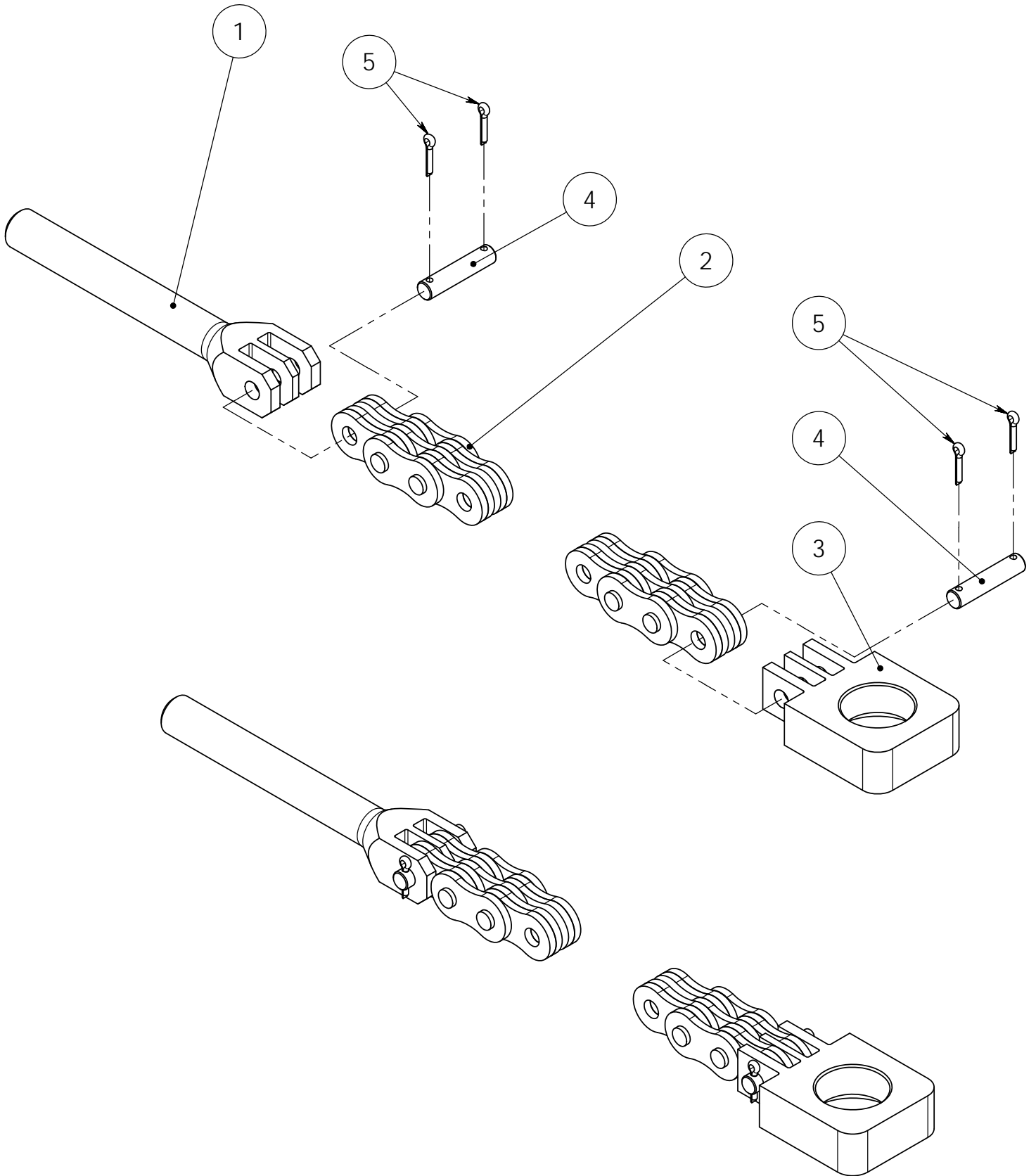
# SPARE PART LIST

Item code	90020965	Revision	-
Title	TANKO	Date	08.12.2005
Specification	VAR		

Pos	Item code	Title	Specification	Dimensions	Pc	Amount	Unit	Nto Weight
1	90020964	TANKO LÄNK LINK GELENK	KONEISTUS		1			12.53
2	3100380	LAAKERI LAGER BEARING LAGER	WB 802.9050		2			0.28
3	3100226	LAAKERI LAGER BEARING LAGER	WB 802.8060		2			0.3
4	3050003	RASVANIPPA SMÖRJNIPPEL GREASE NIPPLE SCHMIERNIPPEL	M8X1,25 DIN 71412		6			0

90021171

3 x 4 / 77 LINKS

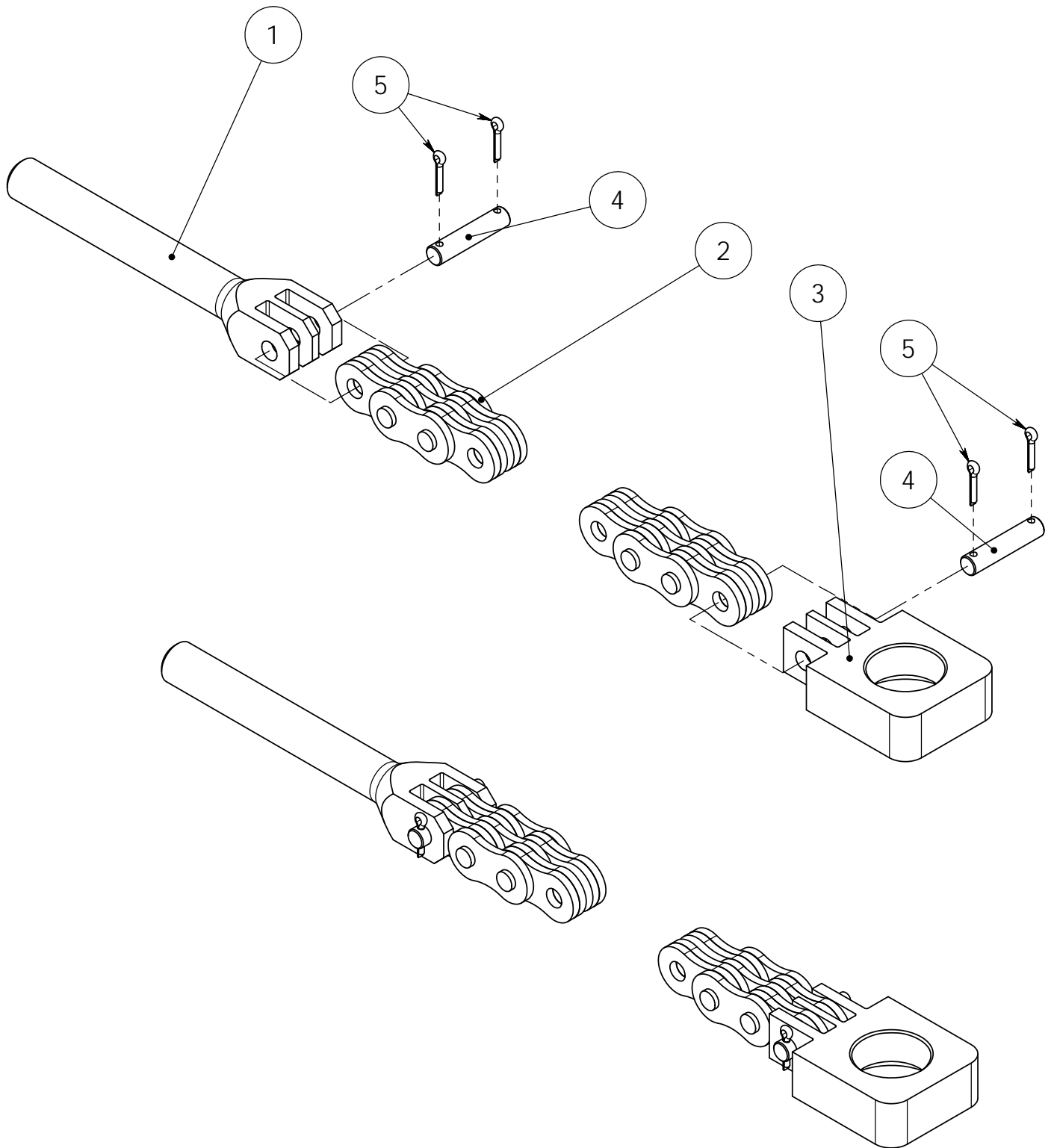


Item code	90021171	Revision	A
Title	CHAIN	Date	09.05.2006
Specification	3X4 (77 LENKKIÄ)		

Pos	Item code	Title	Specification	Pc	Nto Weight
1	90021136	TENSIONER	R 1"	1	0.52
2	3190111	CHAIN	LH 1634 L=1956 77 LENKKIÄ	1	0.33
3	90021137	CONNECTOR	R 1"	1	0.53
4	3190184	PIN	LIITINTAPPI D=9,53-43,7 KETJULLE BL834	2	0.02
5	3040060	COTTER PIN	3,2X20 ZN DIN 94	4	0

90021172

3 x 4/ 87 LINKS

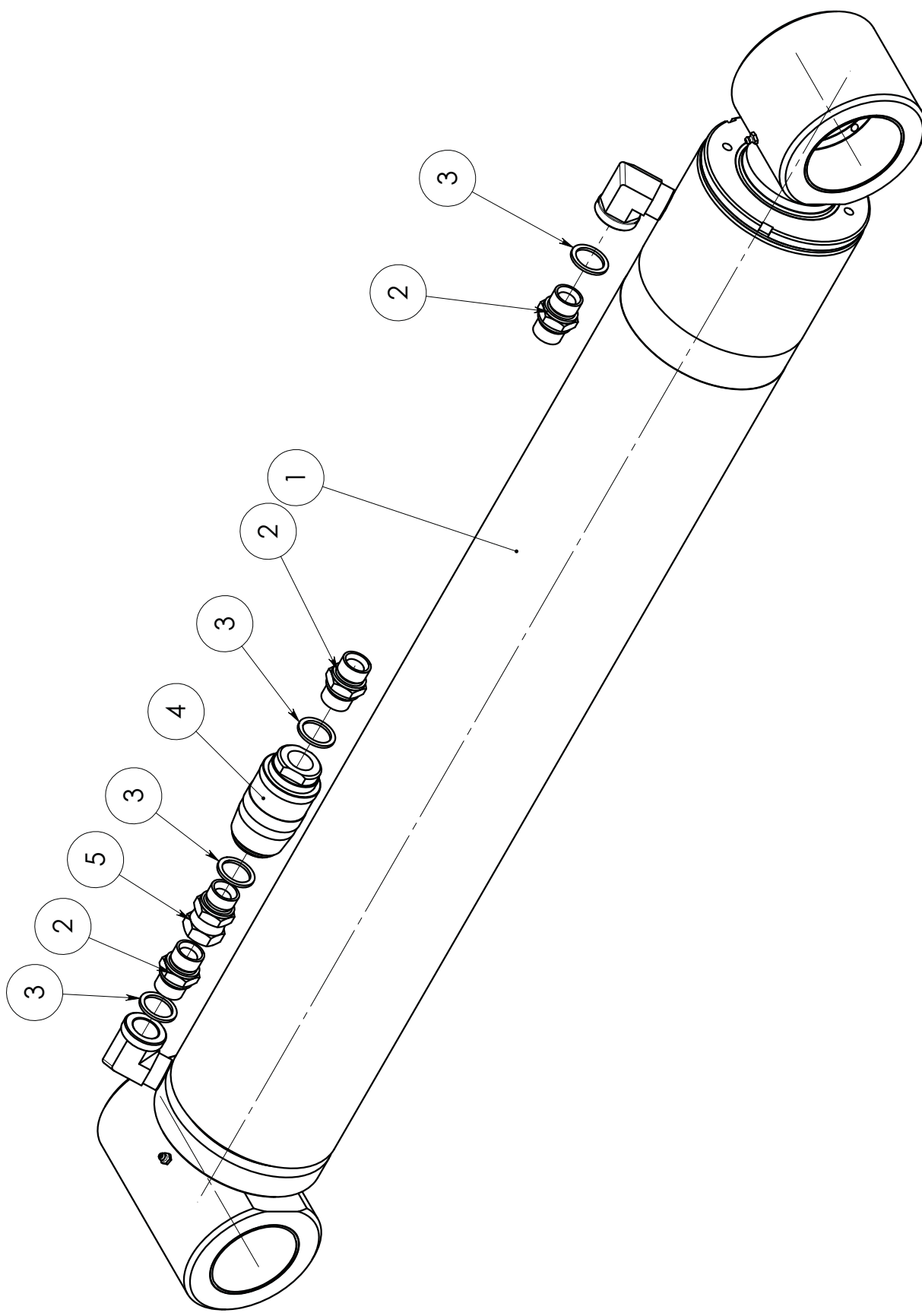




## SPARE PART LIST

Item code	90021172	Revision	-
Title	KETJU	Date	13.03.2007
Specification	3X4 (87 LENKKIÄ) KOK		

Pos	Item code	Title	Specification	Dimensions	Pc	Amount	Unit	Nto Weight
1	90021136	KIRSTIN SPÄNNARE TENSIONER VERSCHLUSS	R 1"	185x36	1			0.52
2	3190112	KETJU KEDJA CHAIN KETTE	R 1" ( 87 LENKKIÄ )		1			0.34
3	90021137	LIITIN KOPPLINGSSTYCKE CONNECTOR KONNEKTOR	R 1"	90x60	1			0.53
4	3010857	RUUVI.SKRUV. SCREW SCHRAUBE	UNC 3/8"X2 3/4" 12.9		2			0.05
5	3020181	MUTTERI MUTTER NUT MUTTER	UNC 3/8" DIN985		2			
6	3030065	ALUSLEVY BRICKA WASHER UNTERLEGSCHEIBE	M10 ZN DIN 125		4			0



NOSTO-  
90021434 SYLINTERI

VARAOSAT \ RESERVDELAR \ SPARE PARTS \ ERSATZTEIL

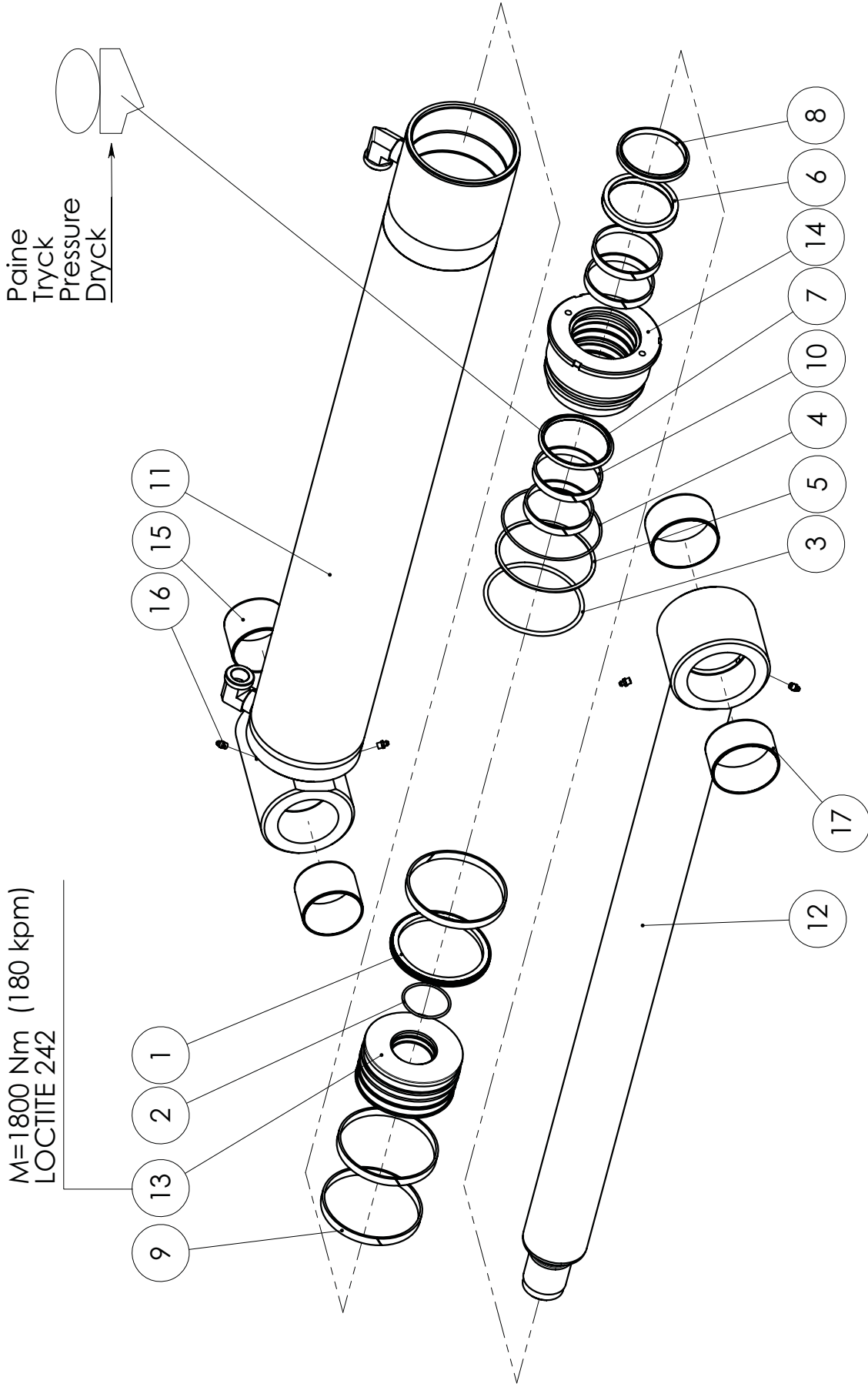




## SPARE PART LIST

Item code	90021434	Revision	-
Title	SYLINTERI	Date	20.10.2006
Specification	140 / 90 X 970 VARUSTELU		

Pos	Item code	Title	Specification	Dimensions	Pc	Amount	Unit	Nto Weight
1	28781001	SYLINTERI CYLINDER ZYLINDER	140 / 90 X 970		1			39.66
2	3090185	LIITIN KOPPLINGSSTYCKE KONNEKTOR	04000-12		3			0.14
3	3110130	TIIVISTE TÄTINING SEAL DICHTUNG	USIT R-12 (R3/4")		4			0.01
4	3120235	VENTTIILI VENTIL VALVE VENTIL			1			1.24
5	3090216	LIITIN KOPPLINGSSTYCKE KONNEKTOR	04010-12-12		1			0.19



28781001 SYLINTERI

VARAOSAT \ RESERVDELAR \ SPARE PARTS \ ERSATZTEIL

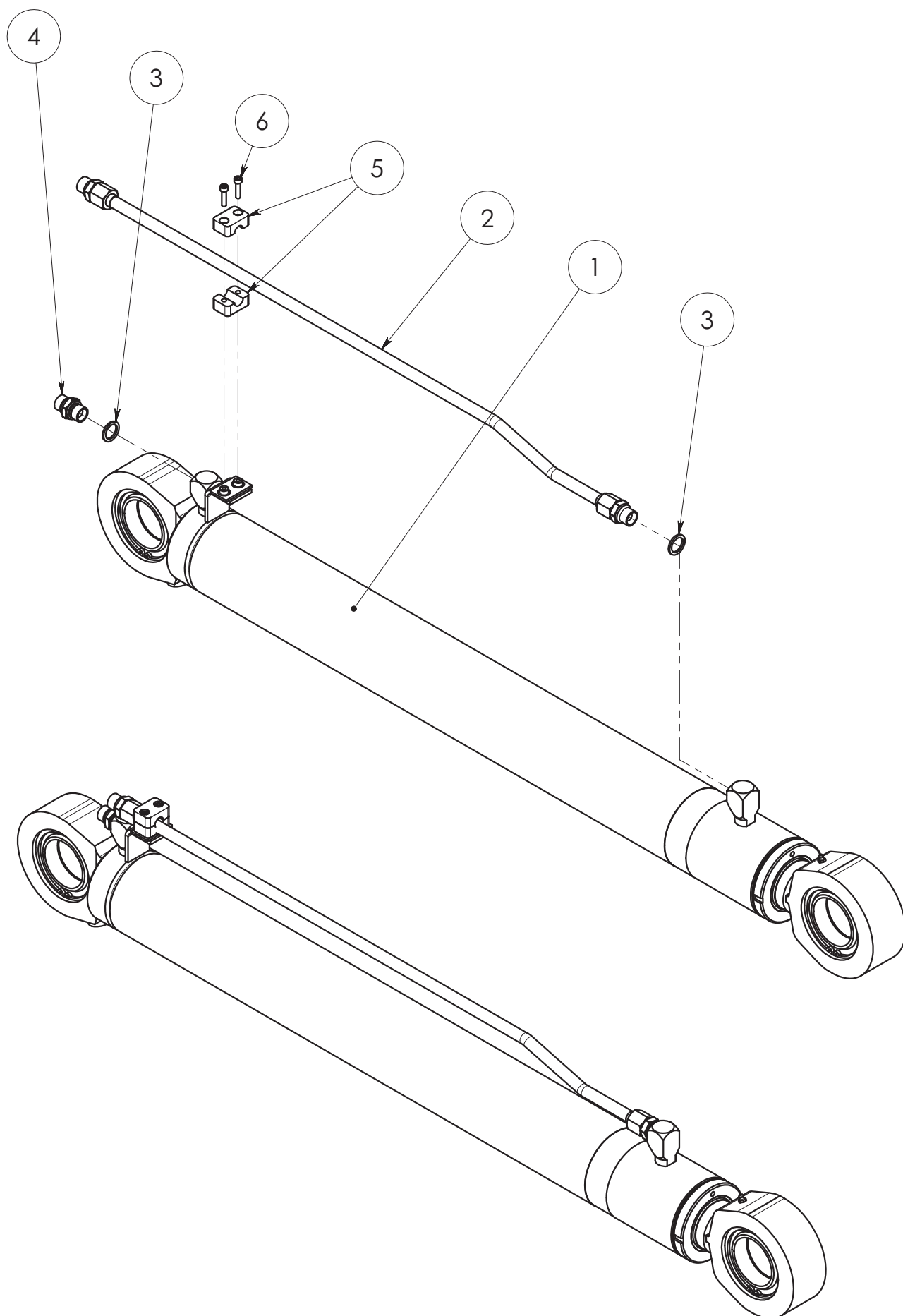


## SPARE PART LIST

Item code	28781001	Revision	-
Title	SYLINTERI	Date	04.12.2006
Specification	140 / 90 X 970		

Pos	Item code	Title	Specification	Dimensions	Pc	Amount	Unit	Nto Weight
1	3110841	TIIVISTE TÄTNIING SEAL DICHTUNG	OK 140/119X8		1			0.26
2	3110250	TIIVISTE TÄTNIING SEAL DICHTUNG	O 62.2 X 3 90 SH		1			0.01
3	3110201	TIIVISTE TÄTNIING SEAL DICHTUNG	O 129.3 X 5.7 SHORE 70		1			0.08
4	3110494	TIIVISTE TÄTNIING SEAL DICHTUNG	O 134.5 X 3 SH 90		1			0.02
5	3110202	TIIVISTE TÄTNIING SEAL DICHTUNG	TR 140/130 X 1.7 PU		1			0
6	3110793	TIIVISTE TÄTNIING SEAL DICHTUNG	HALLITE 90/105X12		1			0.18
7	3110882	TIIVISTE TÄTNIING SEAL DICHTUNG	OMS-MR 90/105.1X6		1			0.09
8	3110420	TIIVISTE TÄTNIING SEAL DICHTUNG	GA 90X100X7/10		1			0.09
9	3110687	OHJAIN STYRNING GUIDANCE STEUERUNG	E/PWR 140/134X13		3			0.13
10	3110795	OHJAIN STYRNING GUIDANCE STEUERUNG	I/PWR 90/96X13		4			0.09
11	28781101	SYLINTERIPUTKI CYLINDERROHR	140 / 90 X 970		1			16.84
12	28781204	MÄNNÄNVARSI KOLVSTÄNG PISTON ROD KOLBENSTANGE	140 / 90 X 970	L=103	1			7.49
13	28719201	MÄNTÄ KOLV PISTON KOLBEN	140	L=83	1			6.37
14	28781202	OHJAIN STYRNING GUIDANCE STEUERUNG	140/90	L=103	1			6.32
15	3100226	LAAKERI LAGER BEARING LAGER	WB 802 8060		2			0.3
16	3050003	RASVANIPPA SMÖRJNIPPEL GREASE NIPPLE SCHMIERNIPPEL	M8X1,25 DIN 71412		4			0
17	3100380	LAAKERI LAGER BEARING LAGER	WB 802 9050		2			0.28
-10	3110883	TIIVISTE TÄTNIING SEAL DICHTUNG	SEAL KIT 140/90		1			

90023631

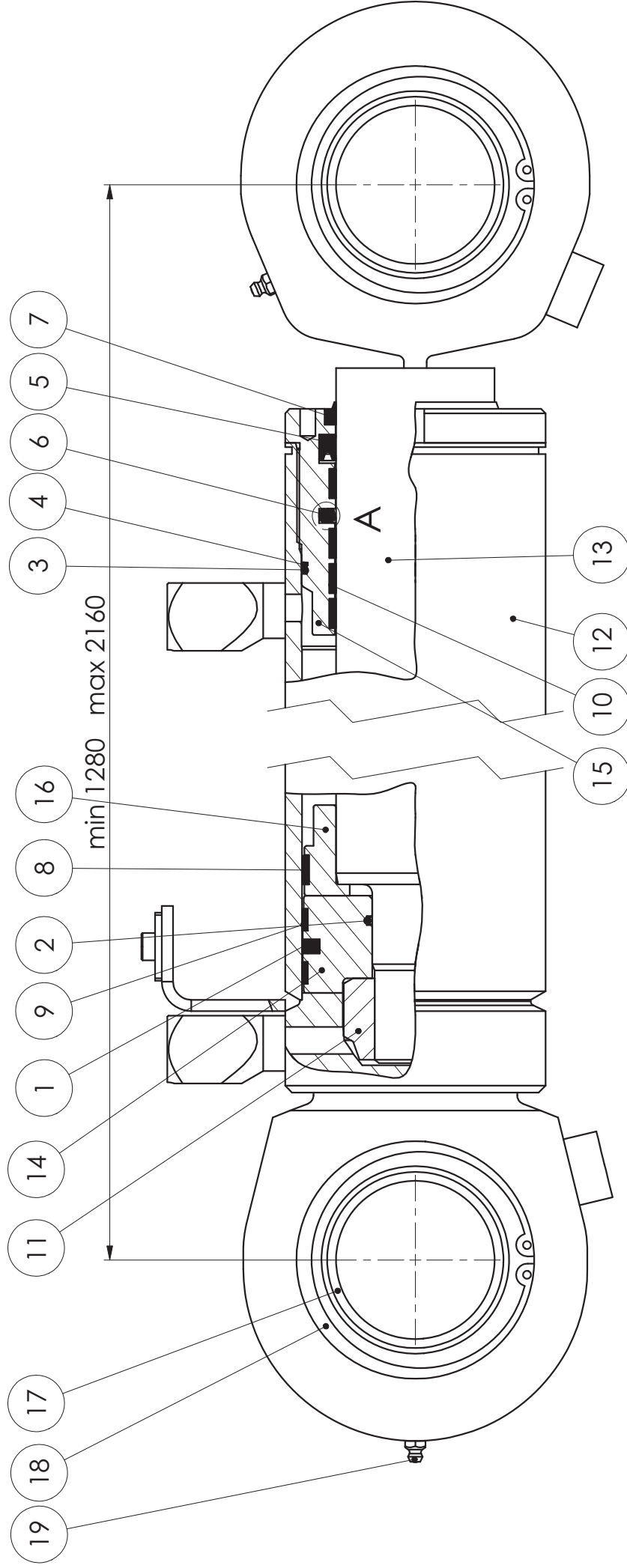




## SPARE PART LIST

Item code	90023631	Revision	-
Title	CYLINDER	Date	18.05.2010
Specification	100/70X880 VAR		

Pos	Item code	Title	Specification	Pc	Nto Weight
1	28852001	CYLINDER	100/70X880	1	76.51
2	90018773	PIPE	16-940	1	1.31
3	3110042	SEAL	R-08 R 1/2"	2	0.01
4	3090019	CONNECTOR	04000-08 R1/2"	1	0.1
5	3090291	FASTENER		2	0.11
6	3010288	SCREW	M6X25 8.8 ZN DIN 912	2	0



28852001 SYLINTERI

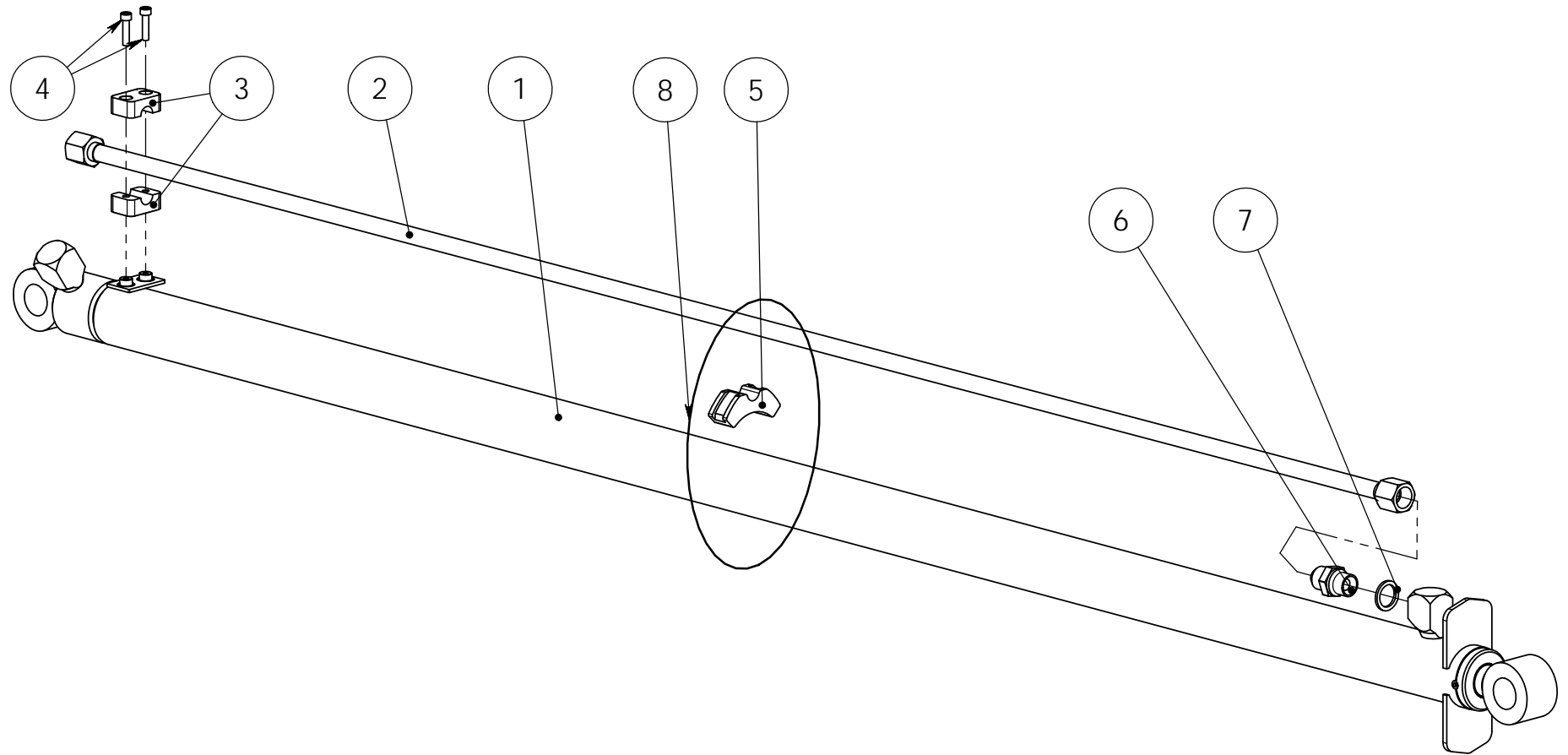
VARAOSAT \ RESERVDELAR \ SPARE PARTS \ ERSATZTEIL



## SPARE PART LIST

Item code	28852001	Revision	-
Title	CYLINDER	Date	16.03.2010
Specification	100/70X880		

Pos	Item code	Title	Specification	Pc	Nto Weight
1	3110821	PISTON SEAL	300 100/84.5X6.3	1	0.1
2	3110075	SEAL	39.2X3 90 SHORE	1	0.01
3	3110071	SEAL	94.5X3 90 SHORE	1	0.02
4	3110614	SEAL	TR 95/100X1.3	1	0
5	3110195	SEAL	70/85X11.4	1	0.13
6	3110197	SEAL	OMS-MR 70/85.1X6	1	0.07
7	3110196	SEAL	GA 70/80X7/10	1	0.07
8	3110072	GUIDANCE	E/PWR 100/94X13	1	0.09
9	3110843	GUIDANCE	100/95X9.7	2	0.06
10	3110733	GUIDANCE	I/PWR 70/76X13	4	0.07
11	3020043	NUT	M36X3 ZN DIN 985	1	0.42
12	28852101	CYLINDER BARREL	100/70X880	1	29.24
13	28852204	PISTON ROD	70	1	37.08
14	28692201	PISTON	100 (OK-TIIVISTE)	1	1.9
15	28852202	GUIDANCE	100/70 2-TIIV.	1	2.8
16	28657105	SLEEVE	ISKUN RAJOITIN HOLKKI	1	0.98
17	3100134	BEARING	INA GE 70 ES	2	1.6
18	3060030	SNAP RING	105X4 DIN 472	2	0
19	3050003	GREASE NIPPLE	M8X1,25 DIN 71412	4	0
1-1	3110963	SEAL KIT	100/70	1	



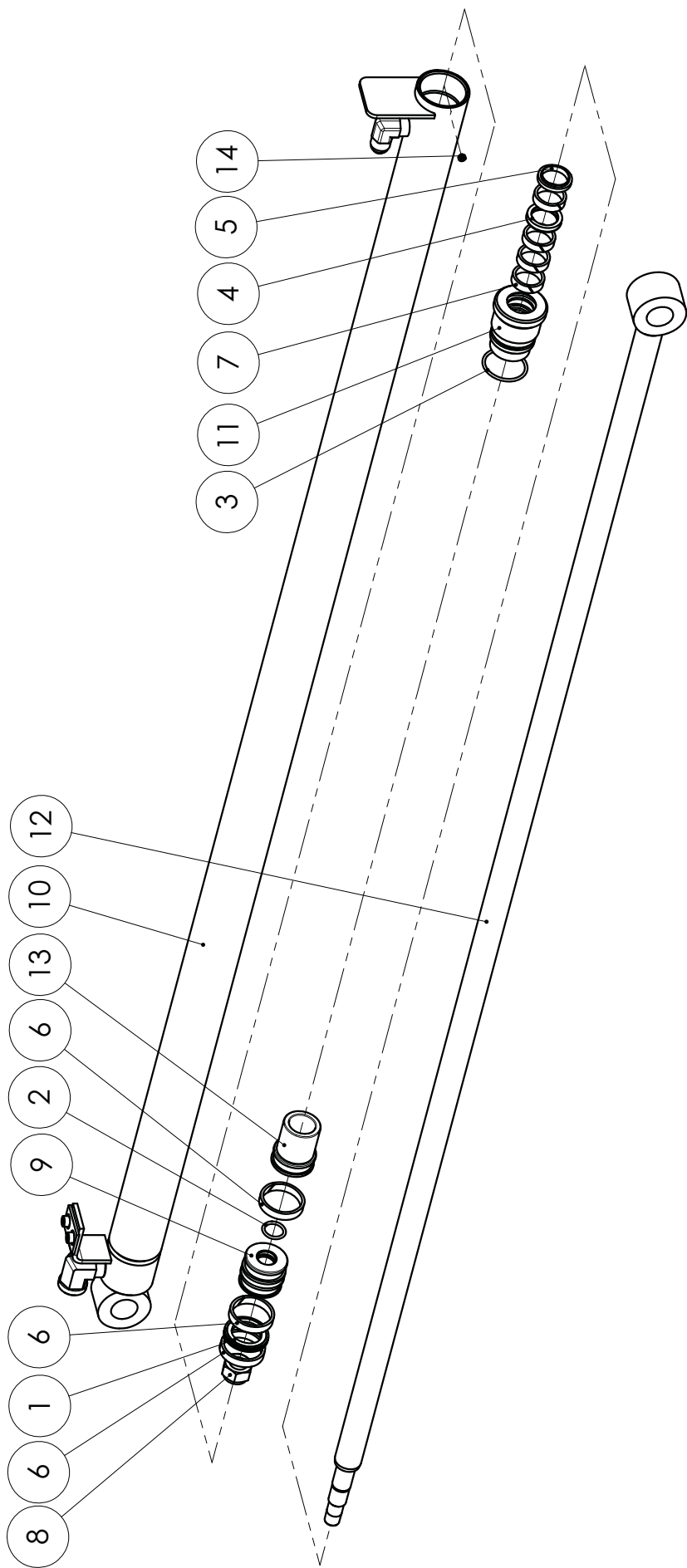
90021354 SYLINTERI

VARAOSAT \ RESERVDELAR \ SPARE PARTS \ ERSATZTEIL



Item code	90021354	Revision	A
Title	CYLINDER	Date	14.09.2006
Specification	50/30 X 1650		

Pos	Item code	Title	Specification	Pc	Nto Weight
1	28791001	CYLINDER	50/30X1650	1	27
2	90025971	PIPE	JATK.SYL. 50/30 X 1650	1	1.35
3	3090291	FASTENER		2	0.11
4	3010288	ALLEN SCREW	M6X25 8.8 ZN DIN 912	2	0
5	3090928	FASTENER		1	0.22
6	3090917	CONNECTOR (STRAIGHT)	26-040010810 R 1/2" -7/8"JIC	1	0.11
7	3110042	USIT-SEAL	R-08 R 1/2"	1	0.01
8	3090929	TENSIONER		1	



28791001 SYLINTERI

VARAOSAT \ RESERVDELAR \ SPARE PARTS \ ERSATZTEIL



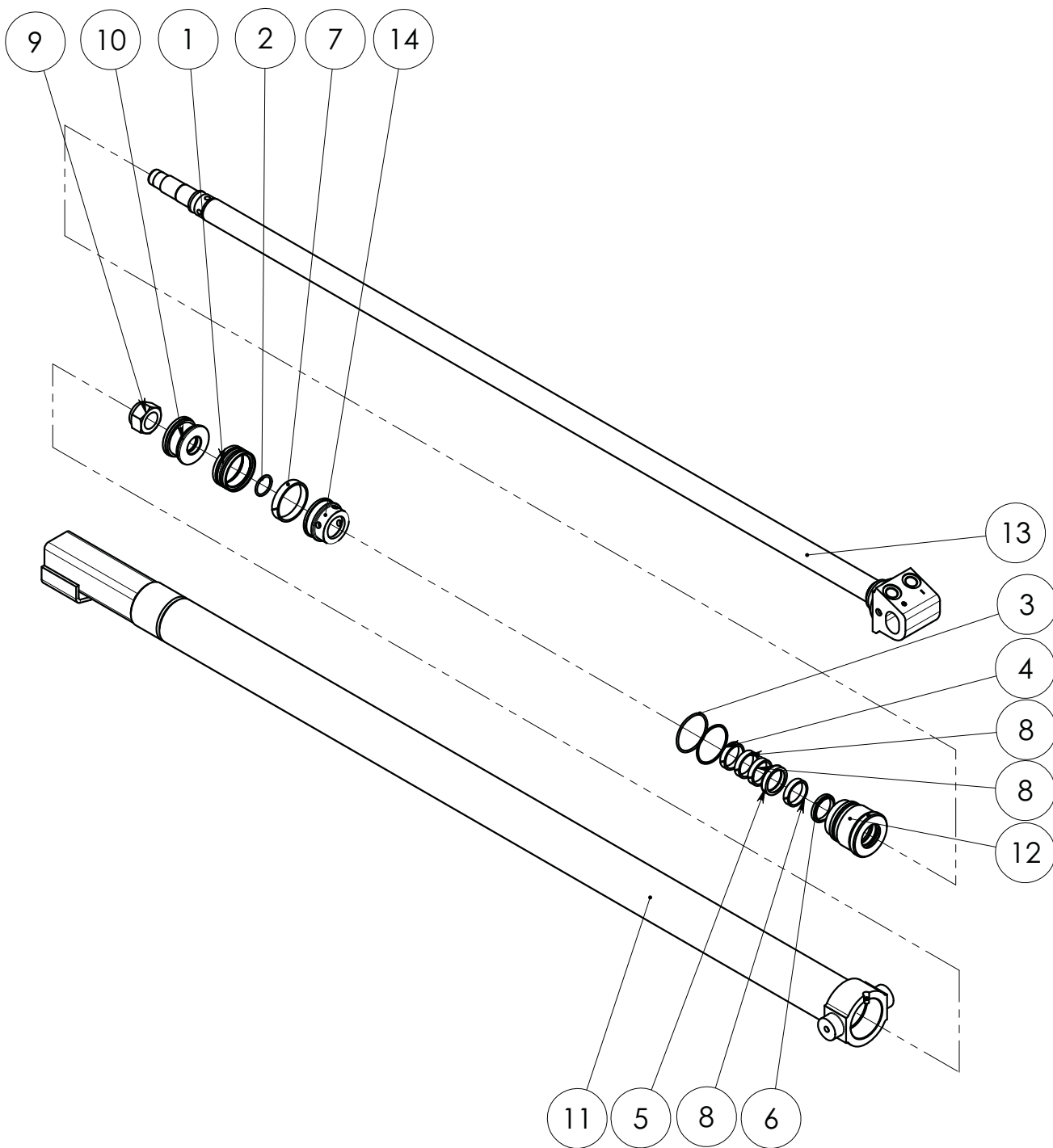
## SPARE PART LIST

Item code	28791001	Revision	-
Title	SYLINTERI	Date	12.10.2006
Specification	50/30 X 1650		

Pos	Item code	Title	Specification	Dimensions	Pc	Amount	Unit	Nto Weight
1	3110676	TIIVISTE TÄTNIING SEAL DICHTUNG	SIMKO 300 50/34.5X6		1			0.05
2	3110261	TIIVISTE TÄTNIING SEAL DICHTUNG	O 21.2 X 3 90 SH		1			0
3	3110669	TIIVISTE TÄTNIING SEAL DICHTUNG	O 45 X 3 90SH		1			0.01
4	3110030	TIIVISTE TÄTNIING SEAL DICHTUNG	NI300 30/40X7		1			0.02
5	3110027	TIIVISTE TÄTNIING SEAL DICHTUNG	PW 30		1			0.02
6	3110677	OHJAIN STYRNING GUIDANCE STEUERUNG	E/PWR 50/44X10		3			0.03
7	3110741	OHJAIN STYRNING GUIDANCE STEUERUNG	I/PWR 30/36X10		4			0.02
8	3020009	MUTTERI MUTTER NUT MUTTER	KM M20 ZN DIN 985		1			0
9	28528201	MÄNTÄ KOLV PISTON KOLBEN	50 (SIMKO)		1			0.35
10	28791101	SYLINTERIPIUTKI CYLINDER RÖR CYLINDER BARREL ZYLINDERROHR	50/30 X 1650		1			2.16
11	28586202	OHJAIN STYRNING GUIDANCE STEUERUNG	50/30	L=72	1			0.62
12	28791204	MÄNNÄNVARSI KOLVSTÄNG PISTON ROD KOLBENSTANGE	50/30 X 1650		1			0.66
13	28586105	HOLKKI HYLSA SLEEVE ACHSHALTER	ISKURAJOTTINHOLKKI	L=62	1			0.37
14	3010793	RUUVI SKRUV SCREW SCHRAUBE	KKR M8 X 6 ZN DIN 914		1			0
1-7	3110756	TIIVISTE TÄTNIING SEAL DICHTUNG	SARJA 50/30		1		sj	

28658001

# SYLINTERI

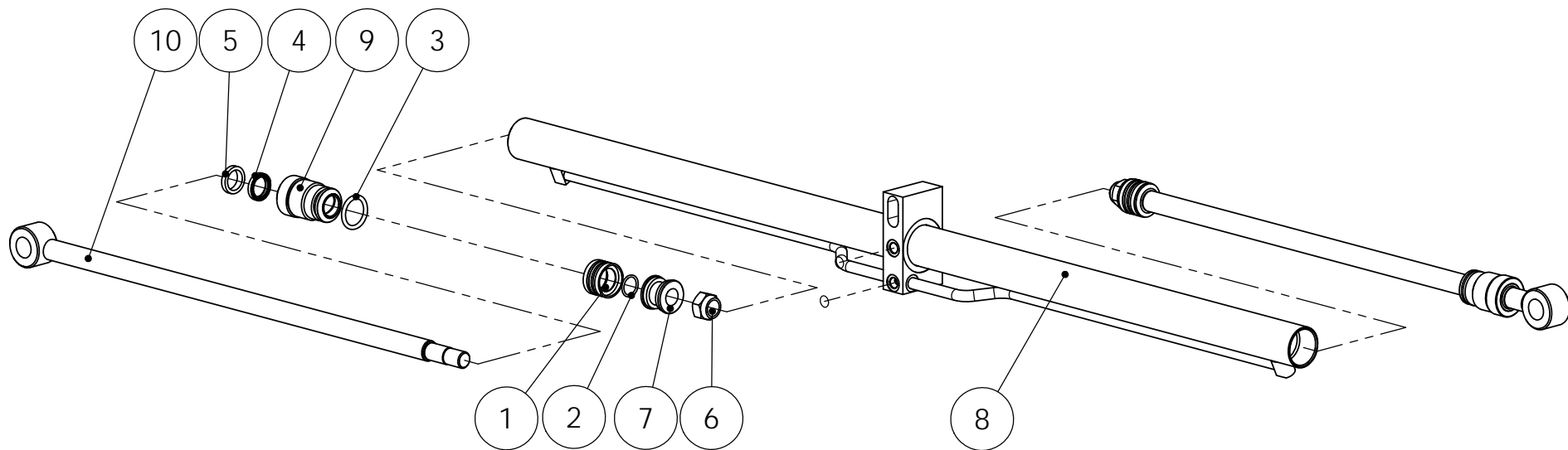




## SPARE PART LIST

Item code	28658001	Revision	-
Title	SYLINTERI	Date	11.10.2006
Specification	70/40-1450		

Pos	Item code	Title	Specification	Dimensions	Pc	Amount	Unit	Nto Weight
1	3110317	TIIVISTE TÄTINING SEAL DICHTUNG	PDO 70/58 X 20		1			0.21
2	3110248	TIIVISTE TÄTINING SEAL DICHTUNG	O 31.5 X 3 90 SH		1			0.01
3	3110009	TIIVISTE TÄTINING SEAL DICHTUNG	O 64.5 X 3 90 SH		1			0.01
4	3110557	TIIVISTE TÄTINING SEAL DICHTUNG	TR 70/65X1.3 PU		1			0
5	3110010	TIIVISTE TÄTINING SEAL DICHTUNG	NI300 40/50X10		1			0.05
6	3110011	TIIVISTE TÄTINING SEAL DICHTUNG	PW 40		1			0.03
7	3110697	OHJAIN STYRNING GUIDANCE STEUERUNG	E/PWR 70/64X13		1			0.06
8	3110735	OHJAIN STYRNING GUIDANCE STEUERUNG	I/PWR 40/46X10		4			0.03
9	3020145	MUTTERI MUTTER NUT MUTTER	KM 30X2 ZN DIN 980 V		1			0
10	28349201	MÄNTÄ KOLV PISTON - KOLBEN	D=70 (PDO-TIIV.)	L=30	1			0.64
11	28658101	SYLINTERIPUTKI CYLINDER RÖR CYLINDER BARREL ZYLINDERROHR	70/1450		1			0
12	28581202	OHJAIN STYRNING GUIDANCE STEUERUNG	70/40	L=72	1			1.39
13	28658204	MÄNNÄNVARSI KOLVSTÄNG PISTON ROD KOLBENSTANGE	D=40		1			4.87
14	28581105	HOLKKI HYLSA SLEEVE ACHSHALTER	ISKURAJOITIN	L=44	1			0.52
15	3010175	RUUVI SKRUVI SCREW SCHRAUBE	KK M8 X 10 ZN DIN 914		1			0
SRJ	3110736	TIIVISTE TÄTINING SEAL DICHTUNG	SARJA 70/40		1		sj	



28772001 SYLINTERI

VARAOSAT \ RESERVDLAR \ SPARE PARTS \ ERSATZTEIL



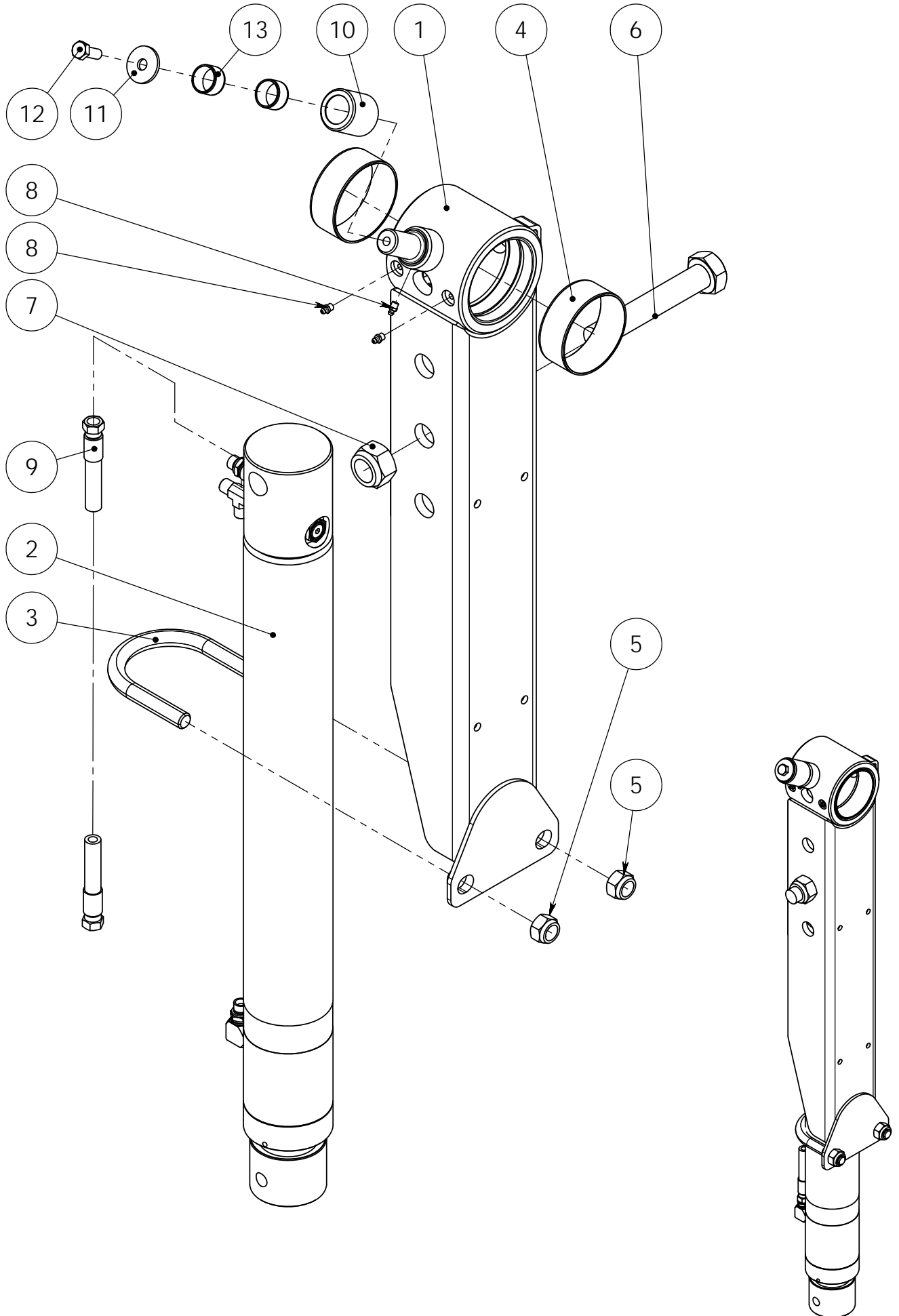
## SPARE PART LIST

Item code	28772001	Revision	-
Title	CYLINDER	Date	06.06.2007
Specification	50/30X2X650		

Pos	Item code	Title	Specification	Pc	Nto Weight
1	3110013	PISTON SEAL	DAS 50/34X18	2	0.18
2	3110003	O-RING	26.2X3 70 SHORE	2	0.01
3	3110288	O-RING	39.2X5.7 90 SHORE	2	0.03
4	3110030	ROD SEAL	T22 30/40X7.3	2	0.02
5	3110313	WIPER SEAL	GA 30/40X7/10	2	0.03
6	3020026	NUT	M24 ZN DIN 985	2	0.11
7	28337201	PISTON	D=50 DBM	2	0.26
8	28772101	CYLINDER BARREL	50/30X2X650	1	4.91
9	28337202	GUIDANCE	50/30	2	0.82
10	28772204	PISTON ROD	50/30 X 2 X 650	2	5.2
1-5	3110324	SEAL KIT	50/30	1	

90020725

# TUKIJALKA



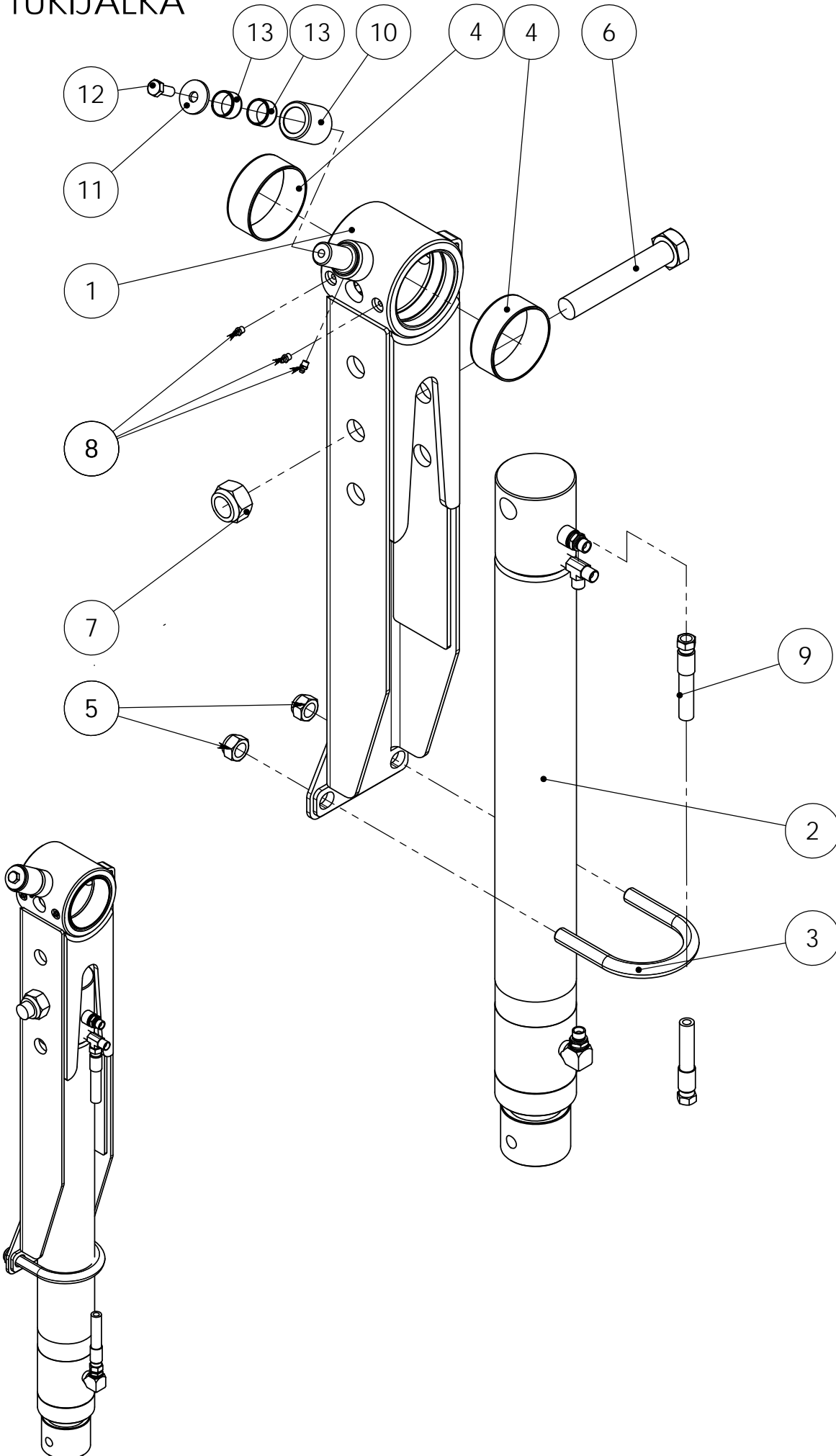


Item code	90020725	Revision	B
Title	STABILIZER	Date	17.01.2007
Specification	RIGHT L=600 KOK		

Pos	Item code	Title	Specification	Pc	Nto Weight
1	90020722	FRAME	OIKEA KONEISTUS	1	26.14
2	28767001	CYLINDER	90/70X600	1	29.87
3	90020683	FASTENER	M20	1	0.92
4	3100288	BUSHING	WB 802 10040 (105/100X40)	2	0.25
5	3020009	NUT	M20 ZN DIN 985	2	0.07
6	3010511	HEW SCREW	M30X180 8.8 ZN DIN 931	1	0
7	3020126	NUT	M30 ZN DIN 985	1	0.24
8	3050003	GREASE NIPPLE	M8X1,25 DIN 71412	3	0
9	3132396	HYDRAULIC HOSE	A50001-06-06/241T-06/A50001-06-06/L=720/TEX	1	0
10	90012841	SLEEVE	50/34-50	1	0.41
11	3030122	WASHER	M12 ZN DIN 440	1	0.04
12	3010048	HEW SCREW	M12X30 8.8 ZN DIN 933	1	0
13	3100124	BUSHING	PM 3020 DX	2	0.03

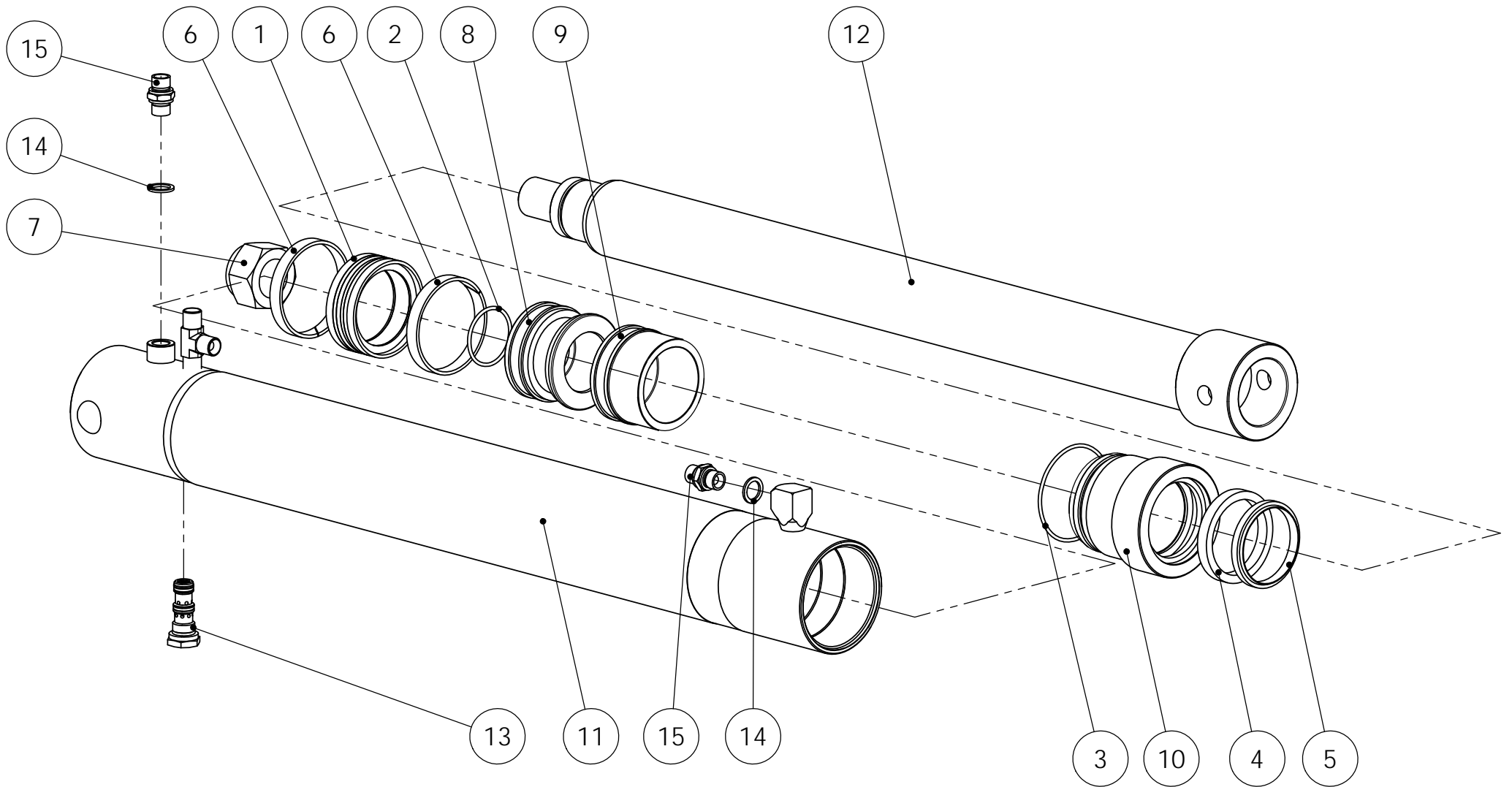
90020765

TUKIJALKA



Item code	90020765	Revision	B
Title	STABILIZER	Date	22.12.2006
Specification	LEFT L=600 KOK		

Pos	Item code	Title	Specification	Pc	Nto Weight
1	90020724	FRAME	VASEN KONEISTUS	1	26.14
2	28767001	CYLINDER	90/70X600	1	29.87
3	90020683	FASTENER	M20	1	0.92
4	3100288	BUSHING	WB 802 10040 (105/100X40)	2	0.25
5	3020009	NUT	M20 ZN DIN 985	2	0.07
6	3010511	HEW SCREW	M30X180 8.8 ZN DIN 931	1	0
7	3020126	NUT	M30 ZN DIN 985	1	0.24
8	3050003	GREASE NIPPLE	M8X1,25 DIN 71412	3	0
9	3132396	HYDRAULIC HOSE	A50001-06-06/241T-06/A50001-06-06/L=720/TEX	1	0
10	90012841	SLEEVE	50/34-50	1	0.41
11	3030122	WASHER	M12 ZN DIN 440	1	0.04
12	3010048	HEW SCREW	M12X30 8.8 ZN DIN 933	1	0
13	3100124	BUSHING	PM 3020 DX	2	0.03



28767001 SYLINTERI

VARAOSAT \ RESERVDLAR \ SPARE PARTS \ ERSATZTEIL

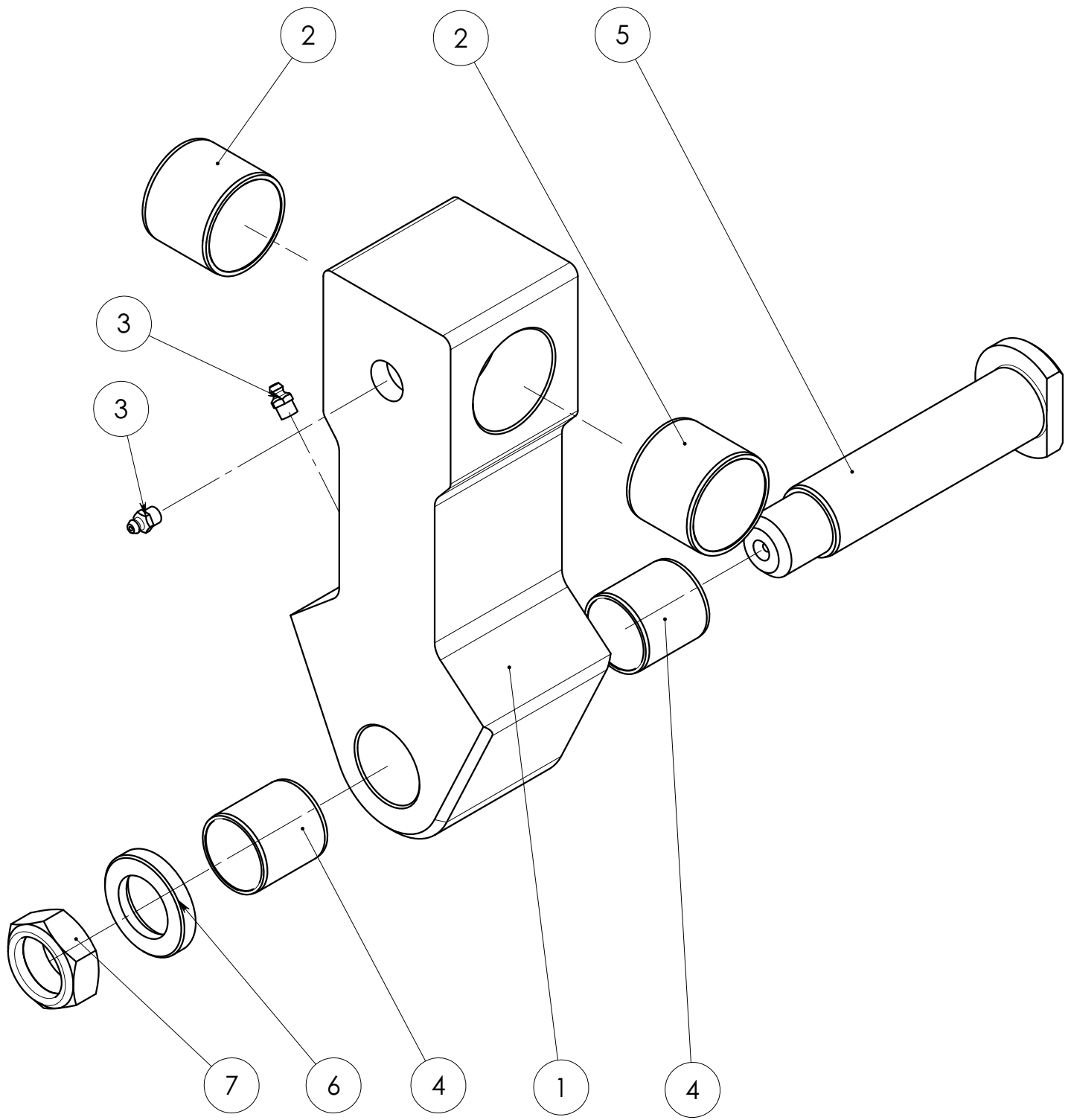


## SPARE PART LIST

Item code	28767001	Revision	-
Title	CYLINDER	Date	19.10.2012
Specification	90/70X600		

Pos	Item code	Title	Specification	Pc	Nto Weight
1	3110025	PISTON SEAL	DAS 90/70X22	1	0.5
2	3110278	O-RING	49.5X3.0 90 SHORE	1	0.01
3	3110017	O-RING	84.5X3 90 SHORE	2	0.02
4	3110184	ROD SEAL	B 70/85X12 POLYPAC BALSELE	1	0.17
5	3110196	WIPER SEAL	GA 70/80X7/10	1	0.07
6	3110397	PISTON GUIDE	E/PWR 90/84X13	2	0.08
7	3020043	NUT	M36X3 ZN DIN 985	1	0.42
8	28554201	PISTON	D=90 DBM	1	1.34
9	28554105	SLEEVE	ISKURAJOITINHOLKKI	1	0.96
10	28358202	GUIDANCE	90/70	1	2.43
11	28767101	CYLINDER BARREL	90/70 X 600	1	21.85
12	28792204	PISTON ROD	90/70 X 600	1	1.67
13	3120843	VALVE		1	0.13
14	3110040	USIT-SEAL	R-06 R 3/8"	2	0
15	3090040	CONNECTOR (STRAIGHT)	04000-06	2	0.06
SRJ	3110430	SEAL KIT	90/70	1	

90012142  
RIIPUKE



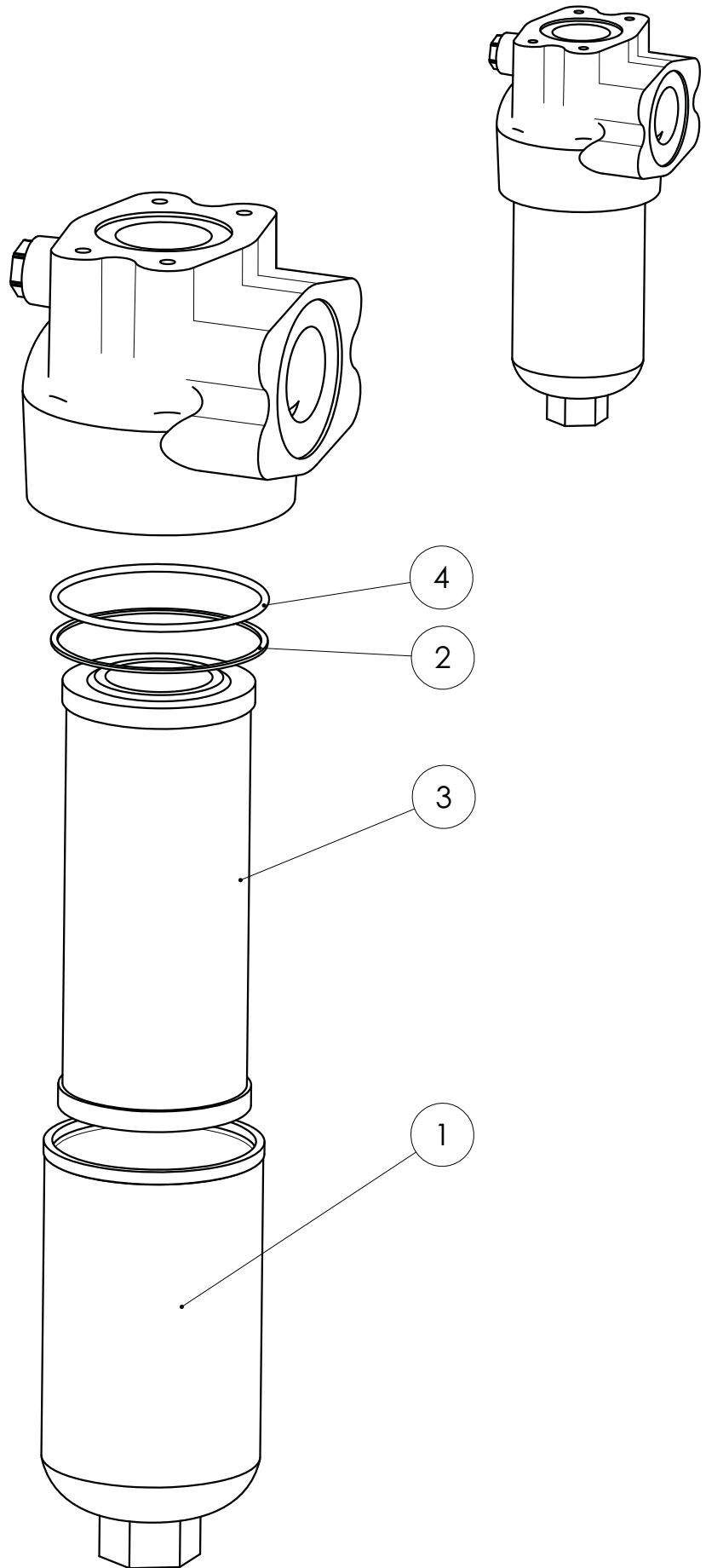
# SPARE PART LIST

Item code	90012142	Revision	-
Title	RIIPUKE	Date	12.04.2005
Specification			

Pos	Item code	Title	Specification	Dimensions	Pc	Amount	Unit	Nto Weight
1	90011322	RIIPUKE LÄNK LINK GELENK		L=289	1			11.79
2	3100215	LAAKERI LAGER BEARING LAGER	WB 802 4540		2			0.12
3	3050003	RASVANIPPA SMÖRJNIPPEL GREASE NIPPLE SCHMIERNIPPEL	M8X1,25 DIN 71412		2			0
4	3100196	LAAKERI LAGER BEARING LAGER	WB 802 3540		2			0.07
5	90013110	AKSELI AXEL AXLE ACHSE	35-172	L=207	1			1.32
6	90013659	ALUSIEVY BRICKA WASHER UNTERLEGSCHEIBE	50/31-8	65x65	1			0.07
7	3020144	MUTTERI MUTTER NUT MUTTER	KM6 M30X1,5 ZN NYLOC		1			

3090884

SUODATIN





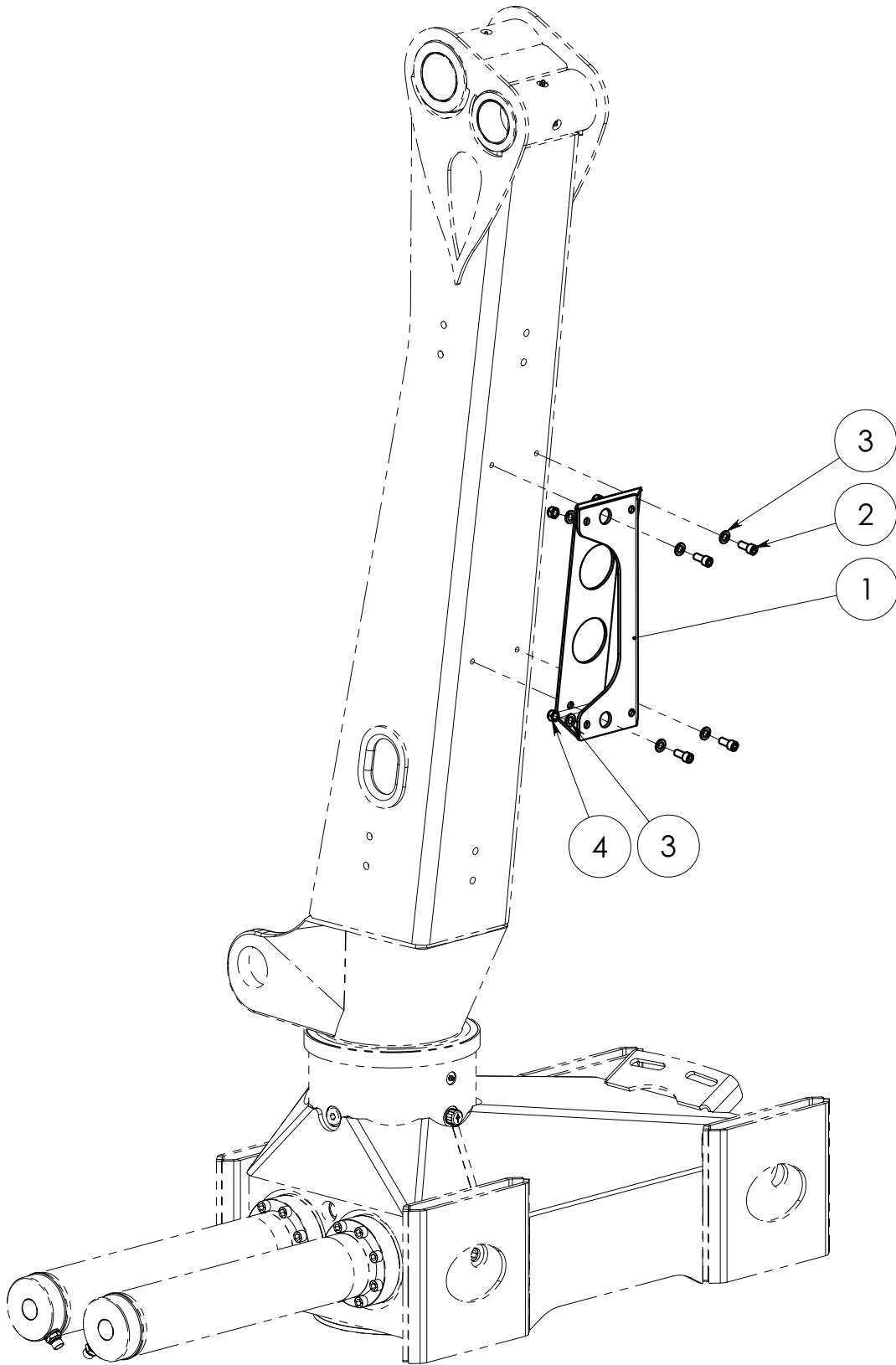


## SPARE PART LIST

Item code	3090884	Revision	-
Title	SUODATIN	Date	21.04.2006
Specification	FF7006.Q20.BS35.GL16		

Pos	Item code	Title	Specification	Dimensions	Pc	Amount	Unit	Nto Weight
1	3090979	SUODATIN FILTER FILTER FILTER	FF7006		1			2.15
2	3110707	TIIVISTE TÄTNING SEAL DICHTUNG	TR 95.1X101.1X1.5 PO-01		1			0
3	3090885	SUODATIN FILTER FILTER FILTER	FC7006.Q020.BK		1			6.32
4	3110706	TIIVISTE TÄTNING SEAL DICHTUNG	O 94.84X3.53 90SH		1			0.02

90022556  
TELINE





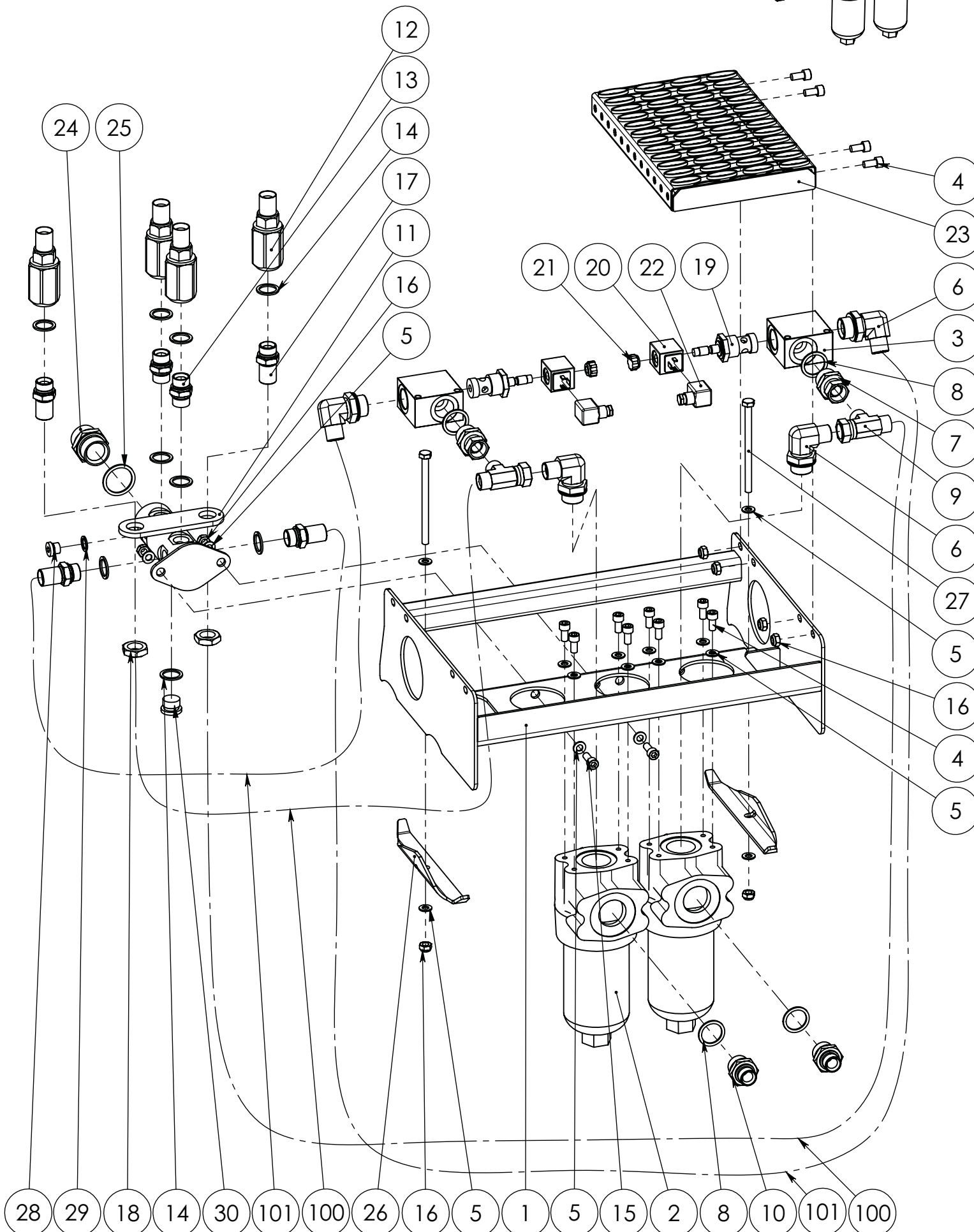
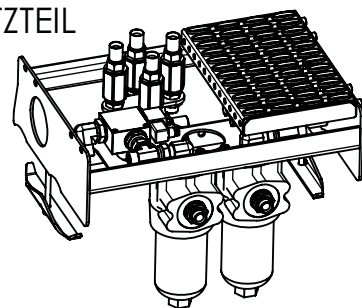
## SPARE PART LIST

Item code	90022556	Revision	-
Title	TELINE	Date	26.05.2008
Specification	HALLINTALAITERUNKO ADAPTERI ASENNIUS		

Pos	Item code	Title	Specification	Dimensions	Pc	Amount	Unit	Nto Weight
1	90022251	KIINNIKE FÄSTE FASTENER BEFESTIGUNG	HITS		1			6.18
2	3010239	RUUVI SKRUV SCREW SCHRAUBE	KKR M12 X 25 8.8 ZN DIN 912		4			0
3	3030047	ALUSLEVY BRICKA WASHER UNTERLEGSCHIBE	M12/I13 ZN DIN 126		8			0.01
4	3020005	MUTTERI MUTTER NUT MUTTER	KM M12 ZN DIN 985		4			0

90022688

TELINE





## SPARE PART LIST

Item code	90022688	Revision	-
Title	TELINE	Date	06.08.2008
Specification	SUODATINTELINE VAPAAKIERTOVARUSTUKSELLA		

Pos	Item code	Title	Specification	Dimensions	Pc	Amount	Unit	Nto Weight
1	90022182	TELINE STÄLL RACK GESTELL	HITS		1			11.81
2	3090884	SUODATIN FILTER FILTER FILTER	FF7006.G20.BS35.GL16		2			18.78
3	3120949	RUNKO RAM FRAME RAHMEN			2			1.79
4	3010192	RUUVI.SKRUV SCREW SCHRAUBE	KKR M10 X 20 8.8 ZN DIN 912		12			0
5	3030065	ALUSIEVY BRICKA WASHER UNTERLEGSCHIBE	M10 ZN DIN 125		16			0
6	3090756	LIITIN KOPPLINGSSTYCKE CONNECTOR KONNEKTOR	26-04500-12-16		4			
7	3090438	LIITIN KOPPLINGSSTYCKE CONNECTOR KONNEKTOR	04010-16-12		2			0.25
8	3110173	TIIVISTE TÄTNIING SEAL DICHTUNG	USIT R-16 (R1")		4			0.01
9	3091123	LIITIN KOPPLINGSSTYCKE CONNECTOR KONNEKTOR	04880-12		2			0.34
10	3090364	LIITIN KOPPLINGSSTYCKE CONNECTOR KONNEKTOR	04000-12-16		2			0.21
11	90022177	PUTKI RÖR PIPE ROHR			1			3.06
12	3091121	LIITIN KOPPLINGSSTYCKE CONNECTOR KONNEKTOR	TEMA 7KR 3/4"/3/4"		4			
13	3090185	LIITIN KOPPLINGSSTYCKE CONNECTOR KONNEKTOR	04000-12		2			0.14
14	3110130	TIIVISTE TÄTNIING SEAL DICHTUNG	USIT R-12 (R3/4")		9			0.01
15	3010685	RUUVI.SKRUV SCREW SCHRAUBE	KKR M10X25 8.8 DIN 912 ZN		2			0
16	3020004	MUTTERI MUTTER NUT MUTTER	KM M10 ZN DIN 985		8			0
17	3090298	LIITIN KOPPLINGSSTYCKE CONNECTOR KONNEKTOR	04000-12 EP		4			0.18
18	3020017	MUTTERI MUTTER NUT MUTTER	KM M24 ZN DIN 936		2			0
19	3120948	VENTIILI VENTIL VALVE VENTIL			2			0.34
20	3120499	SOLENOIDI SOLENOID SOLENOID SOLENOID			2			0.46
21	3020182	MUTTERI MUTTER NUT MUTTER	M12		2			0.03
22	3180478	LIITIN KOPPLINGSSTYCKE CONNECTOR KONNEKTOR	192F0461		2			0.25
23	90013146	PORRAS TRAPPSTEG STEF STUFE	HITS		1			2.25
24	3090315	LIITIN KOPPLINGSSTYCKE CONNECTOR KONNEKTOR	04000-20		1			0.37
25	3110849	TIIVISTE TÄTNIING SEAL DICHTUNG	USIT R-1 1/4"		1			0.01
26	90021522	LAITA PLATTA FLAT BAR FLACH		300x55	2			0.42
27	3010504	RUUVI.SKRUV SCREW SCHRAUBE	KR M10 X 150 8.8 ZN DIN 931		2			0
28	3090210	TULPPA PLUGG PLUGG DECKEL	HF-3/8"		1			0.03
29	3110040	TIIVISTE TÄTNIING SEAL DICHTUNG	USIT R-06 (R 3/8")		1			0
30	3090209	TULPPA PLUGG PLUGG DECKEL	HF-3/4"		1			0.08
100	3132643	LETKU SLANG HOSE SCHLAUCH	5651-12/HI33-12/5601-12 L=750		2			
101	3132644	LETKU SLANG HOSE SCHLAUCH	5751-12/HI78-12/5701-12 L=750		2			